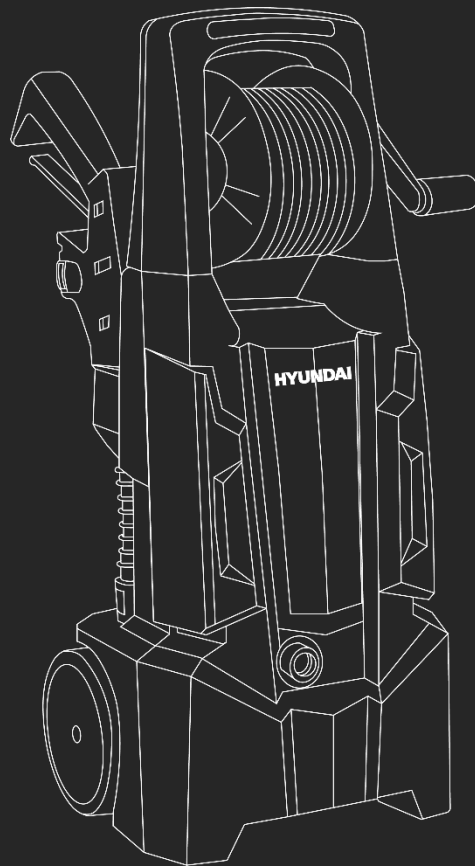


HYUNDAI

ELECTRIC WATER BLASTER HYW1900E

Instruction Manual



Contents

Introduction.....	3	Maintenance & Care.....	44-45
Safety Information.....	4-14	General Maintenance.....	44
Understand Your Machine.....	4	Storage.....	44
Personal Safety.....	4-5	Cleaning.....	44
Inspect Your Machine.....	5-6	Troubleshooting.....	45
Work Area.....	6	Specifications.....	46
During Use.....	7-8	Contact Us.....	47
Batteries.....	9		
Electricity.....	9-10		
Double Insulated Devices.....	10		
Vibrations.....	11		
Noise.....	11		
Residual Risks.....	11		
Intended Use.....	12		
Personal Protective Equipment.....	13		
Symbols On The Machine.....	14		
Unboxing.....	15		
In The Box.....	16-17		
Features.....	18-19		
Assembly.....	20-38		
Assembly Overview.....	20		
Attach Accessory & Cable Holder.....	20		
Attach Wheels.....	21		
Assemble Hose Storage Wheel.....	22-25		
Attach Water Filter.....	26		
Attach Water Supply Hose.....	27		
Attach High Pressure Hose.....	28		
Attach Accessories.....	29		
Turbo Nozzle.....	30		
Variable Jet Nozzle.....	31-32		
Fixed Brush.....	33		
Foam System.....	34-36		
Rotating Brush.....	37		
Patio Cleaner.....	38		
Operation.....	39-43		
Tips For Use.....	39		
Before Starting Work.....	39		
Starting.....	40-41		
Stopping.....	42-43		

Introduction

Thank You For Purchasing Your HYUNDAI Product

We work very hard to give all of our customers the best possible service. If you have any problems, before leaving negative feedback, please contact us to give us a chance to resolve the issue. We would be delighted if you left us positive feedback! Thank you for purchasing this product.

Important!



WARNING: READ THE INSTRUCTION BOOKLET THOROUGHLY BEFORE USING THE MACHINE. Keep for future reference and pass it on if the machine is loaned or sold to another user.

This manual has been produced by Hyundai Power Products and should be kept with the product. Please read and understand these instructions before you use your product. Failure to do this may result in personal injury or damage to the product.

The safety precautions and warnings are to ensure your safety and protect you from harm or damage to the product.

The information contained in this manual was accurate at the time of production, however HYUNDAI Power Products may make modifications to the product without notification.

Safety Information

Understand Your Machine

- **WARNING!** You must read these instructions carefully before operating the machine. Make sure that you are familiar with the controls and properly operate the machine. You must learn how to stop the machine quickly. If you do not follow the warnings and instructions, it may result in fire and/or serious injury. Make sure to save all warnings and instructions for future reference.
- Read this manual and labels affixed to the machine to understand its limitations and potential hazards.
- Be thoroughly familiar with the controls and their proper operation. Know how to stop the machine and disengage the controls quickly.
- If the unit is to be used by someone other than original purchaser, or is to be loaned, rented, or sold, always provide this manual and any needed safety training before operation. The user can prevent and is responsible for accidents or injuries that may occur to themselves, to other people, or to property.
- Do not force the machine beyond its limits. Use the correct machine for your application.
- Know how to stop the machine quickly in case of emergency. Understand the use of all controls.
- ALL MAINTENANCE other than that listed in this manual, should be carried out by professionally trained and certified personnel.
- When using this machine for the first time and before actual work, you **MUST** learn how to handle the machine from an experienced or skilled person.

Personal Safety

- **WARNING!** Never allow children or people unfamiliar with these instructions to use the product. Local regulations can restrict the minimum age of the operator.
- Keep children, pets, and other people not using the unit away from the work area (at least 15m). Be alert and shut off the unit if anyone enters work area. Keep children under the watchful care of a responsible adult.
- Stay alert, watch what you are doing and use common sense when operating the machine. Never operate the machine when unwell or tired, or if you have taken alcohol, medicine, drugs or any substances which may slow your reflexes and compromise judgment. A moment of inattention while operating the machine may result in serious personal injury.
- Appropriate Personal Protective Equipment (PPE), **MUST** be worn at all times when operating or repairing the machine. Always wear anti-slip and resistant work footwear and long trousers while using the machine. Do not use the machine when barefoot, wearing sandals or similar lightweight footwear. Do not wear chains, bracelets or clothing that is loose fitting or hanging ties or cords. Tie long hair back. Always wear protective earplugs. Loose clothes, jewellery, or long hair can be caught in moving parts. Protect eyes, face, and head from objects that may be thrown from the unit. Always wear safety goggles or safety glasses with side shields when operating.
- Always keep hands and feet away from all moving parts during operation. Moving parts can cut or crush body parts. Always keep hands and feet away from all pinch points.

Safety Information

Personal Safety (Continued)

- Do not touch parts that might be hot from operation. Allow parts to cool before attempting to maintain, adjust, or service.
- Do not overreach. Keep proper footing and balance at all times. This enables better control of the machine in unexpected situations. Extending your body too far can result in a loss of balance and you may fall which will result in injury.
- Never place any part of your body where it would be in danger if movement should occur during assembly, installation, and operation, maintenance, repairing or moving.
- Keep in mind that the operator or user is responsible for accidents, hazards or unexpected events involving the machine that occur to other people or their property. It is the responsibility of the user to assess the potential risk of the area where work is being carried out. The operator or user must take all necessary precautions to ensure their own safety and that of others, especially on slopes or rough, slippery and unstable ground.
- This appliance is not intended for use by persons (including children) with reduced physical, sensory or mental capabilities, or lack of experience and knowledge, unless they have been given supervision or instruction concerning use of the appliance by a person responsible for their safety.

Inspect Your Machine

- Check your machine before starting it. Keep guards in place and in working order. Make sure all nuts, bolts, etc., are securely tightened.
- You must check the general condition of the machine before use.
- Never operate the machine when it is in need of repair or is in poor mechanical condition. Replace damaged, missing, or failed parts before using it. Check for fuel leaks. Keep the machine in safe working condition.
- Do not use the machine if the machine's switch does not turn off the machine when running. Any machine that can't be controlled with the switch is dangerous and must be replaced.
- Regularly check to see that keys and adjusting wrenches are removed from the machine area before starting it. A wrench or a key that is left attached to a rotating part of the machine may result in personal injury.
- If the machine should start to vibrate abnormally, stop the machine and check immediately for the cause. Vibration is generally a warning sign of trouble.
- Avoid accidental starting. Be sure the switch is off before transporting the machine or performing any maintenance or service on the unit. Transporting or performing maintenance or service on a machine with its switch on invites accidents.
- Do not tamper with or disable safety systems.
- Only use manufacturer-recommended attachments.
- Before using, always visually inspect to see that the tools are not worn out or damaged. Replace worn out or damaged elements and bolts in set to preserve balance.

Safety Information

Inspect Your Machine (Continued)

- Keep the machine in good operating condition. Operating the machine in poor or questionable condition could result in serious injury.
- Be sure all safety devices are in working order and warning labels are in place. These items are installed for your safety.

Work Area

- You must only work in daylight or with good artificial light in good visibility conditions. Do not work at night, at times of heavy fog, or at any other times when your field of vision might be limited and it would be difficult to gain a clear view of the area.
- Keep people, children and animals away from the working area.
- Operate on flat, level ground.
- DO NOT work on wet ground. If there has been heavy rain on the working site, wait until the ground has dried up.
- Never park the machine in a place with unstable ground which could give way.
- You must be careful near ravines, ditches or embankments.
- Exercise extreme caution when operating on or crossing gravel drives, walks, or roads. Stay alert for hidden hazards or traffic.
- Do not work in the rain, when there is a thunderstorm or lightning risk, at times of strong or gale force winds, or at any other times when the weather conditions might make it unsafe to use this product. If there is bad weather conditions, do not use the machine.
- Make sure you thoroughly inspect the entire work area and remove all objects and anything that could be thrown by the machine or could damage the machine (branches, stones, wire, toys, etc). Attempting to clear the work area whilst using the machine will reduce your concentration and creates a trip hazard. Any liquid spilled on the floor may result in you slipping.
- DO NOT operate power tools in explosive atmospheres, such as in the presence of flammable liquids, gases or dust. Power tools may create sparks, which may ignite the dust or fumes.
- This machine is only for outdoor use.

Safety Information

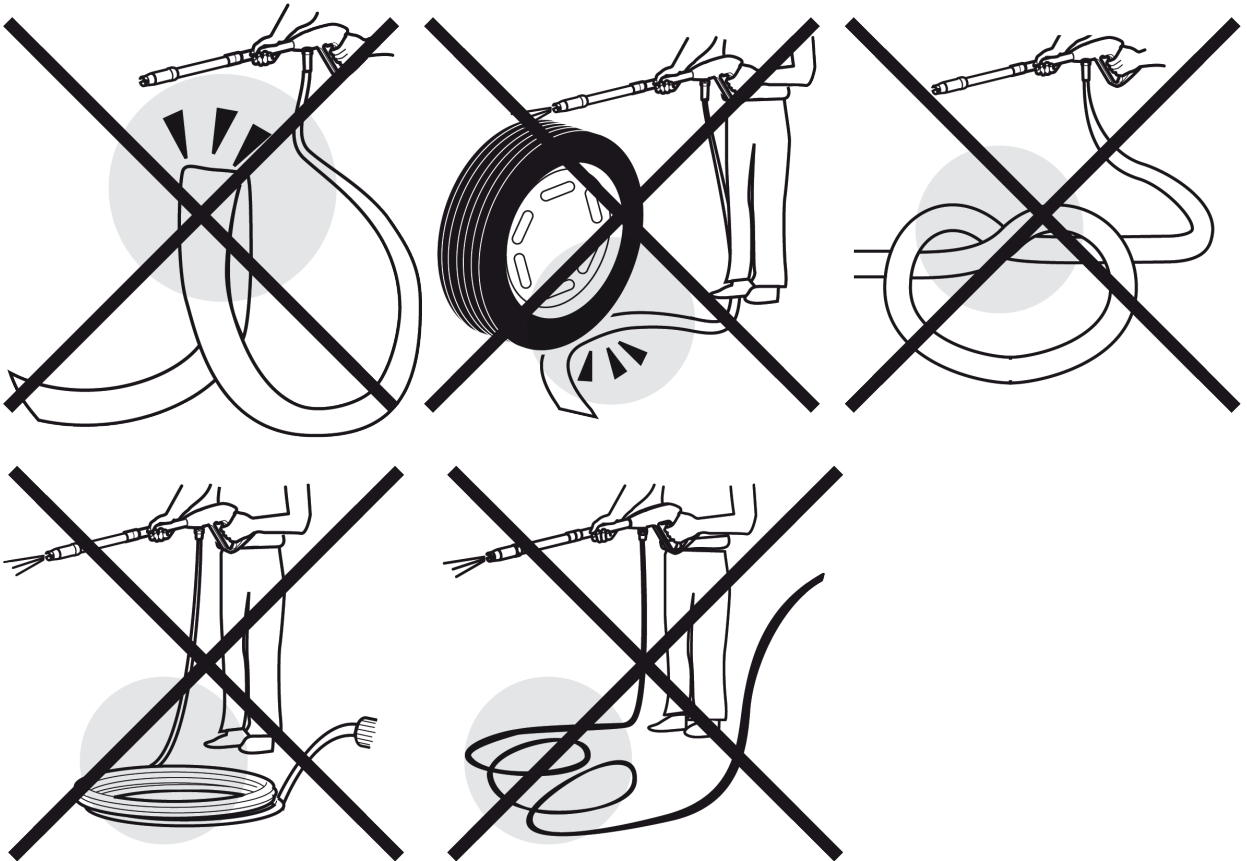
During Use

- Do not operate the machine in confined areas where there may be a risk of crushing the operator between the machine and another object.
- Never attempt to make any adjustments, while the machine is running.
- You must switch off the machine:
 - Before checking or working on the machine.
 - When transporting the machine.
 - Whenever you leave the machine unattended.
 - If the machine starts to vibrate abnormally.
- **WARNING!** If something breaks or an accident happens whilst working, you must turn off the machine immediately and move the machine away to prevent further damage. If an accident happens with injuries or third parties are injured, carry out the first aid measures most suitable for the situation immediately and contact the medical authorities for any necessary health care. Carefully remove any debris that might cause damage or harm persons or animals should it not be seen.
- After striking a foreign object, stop the machine immediately and inspect the machine thoroughly for damage. Repair the damage before continuing.
- Never operate the machine without the defective guards or shields, or without safety devices, or if the cord is damaged or worn.
- Always disconnect the electricity and water supplies on completion of every job.
- This appliance has been de-signed for use with the detergent provided or the detergent specified by the manufacturer, such as a neutral shampoo based on biodegradable anionic surface active deter-gents. The use of other detergents or chemicals may put the appliance's safety at risk.
- Do not touch the plug and the appliance with wet hands or when barefoot.
- Do not direct the nozzle toward mechanical parts containing lubricant grease, as the grease will dissolve and spread over the surrounding ground. Vehicle tyres/tyre valves may only be cleaned from a minimum distance of 30 cm, otherwise the vehicle tyre/tyre valve could be damaged by the high-pressure jet. The first indication of this is a discoloration of the tyre. Damaged vehicle tyres/tyre valves can be deadly dangerous.
- High pressure jets can be dangerous if subject to misuse. The jet must not be directed at persons, animal, live electrical equipment or the machine itself.
- High pressure hoses, fittings and couplings are important for the safety of the machine. Use only hoses, fittings and couplings recommended by the manufacturer. (it is extremely important to protect these components against damage by avoiding their improper use and protecting them against bending, knocks and scratches).
- Do not direct the jet against yourself or others in order to clean clothes or footwear.
- Risk of explosion — Do not spray flammable liquids.
- Appliance with fluid under pressure. Keep a firm hold on the gun and be prepared to take the kickback pressure. Only use the high pressure nozzle provided with the appliance.

Safety Information

During Use

- Do not leave the machine during standby for more than 5 minutes.
- Any automatic start of the machine without pressing the gun trigger is attributable to air bubbles in the water or other similar phenomena which do not imply the existence of any defects in the machine.
- When winding and unwinding the pipe take care not to cause the high-pressure cleaner to overturn.
- Before unwinding or winding the hose, switch the machine off and release the pressure in the hose itself (switching off).
- If an extension cord is used, the plug and socket must be of watertight construction.
- DO NOT direct the spray at people, animals, live electrical equipment or the appliance.
- Do not allow the high pressure hose to bend.
- Do not put any weight on the high pressure hose.
- Do not use the high pressure hose if it is in a knot or loop.
- Never start the high-pressure cleaner without first completely unwinding the high-pressure hose.
- Make sure the high pressure hose does not have any loops or tangles.



Safety Information

Batteries (Where Present)

Batteries present a risk if they become damaged by the possible leaking of electrolyte. This electrolyte is an acid and can cause serious burn injuries. Care should be taken when working on or near them. **NOTE:** the electrolyte may be in a liquid or gel form.

Should you come in to contact with electrolyte you should;

- Remove all clothing contaminated with electrolyte. If you cannot remove then saturate them in water.
- Get medical assistance as soon as possible.

You must advise the medical staff of the type of acid.

- Lead/acid battery = dilute sulphuric acid.
- Nickel/cadmium = potassium hydroxide alkali electrolyte.
- Use fresh running water to wash off excess electrolyte, continue this until medical assistance arrives. Make sure that you do not wash the electrolyte to another part of your body or face.
- If electrolyte comes in to contact with eyes the electrolyte needs to be immediately washed away with large amounts of water. Make sure that you do not wash the electrolyte to another part of your face or body.
- Gasses from charging batteries are highly flammable and great care should be taken to charge in well ventilated areas.



- There is an explosion risk if the battery terminals are short circuited, when connecting/disconnecting ALWAYS exercise great care so that the terminals or battery leads are NOT allowed to touch and cause a spark. ALWAYS use suitable insulated tools.

Electricity (Where Applicable)

DANGER : ELECTRICITY CAN KILL – NEVER WORK ON LIVE / ENERGISED EQUIPMENT.



- Prior to carrying out any maintenance work you MUST identify electrical isolation methods and isolate all electrical supplies.
- Prior to use and with all electrical supplies isolated, you MUST check all electrical cables, plugs and connectors for the following;
 - Are intact and have no signs of damage, to include but not limited to bare wires, chaffing, cuts and loose wiring.
 - If there are any signs of damage, the damaged item MUST be taken out of service until the damage has been repaired by an electrically competent person.
 - All trailing cables should be routed so as not to cause any kind of trip hazard.
 - NEVER work on or near electricity with wet hands, wet clothing and wet gloves.

Safety Information

Electricity (Continued)

- Power tools plug must match the outlet. Never modify the plug in any way. DO NOT use any adapter plugs with earthed (grounded) power tools. Unmodified plugs and matching outlets will reduce risk of electric shock.
- DO NOT expose this power tool to rain or wet conditions. Water entering a power tool will increase the risk of electric shock. DO NOT abuse the power cord. Never use the cord for carrying, pulling or unplugging the power tool. Keep the cord away from heat, oil and sharp edges or moving parts. Damaged or entangled cords increase the risk of electric shock. When operating a power tool, use an extension cord suitable for outdoor use. Use of a cord suitable for outdoor use reduces the risk of electric shock.
- **IMPORTANT:** Make sure that the electric circuit is fused, and that the power, voltage and frequency of the motor is supported by your mains supply. Also, make sure that your power supply is earthed. Connect your machine to earth. Never open the ON/OFF switchbox. However, if it should become necessary to do so, contact a qualified electrician. Make sure that you will never touch live contacts, specifically when you plug or unplug your machine. This machine and its power cord must never get into contact with water.
- Avoid body contact with earthed or grounded surfaces such as pipes, radiators, ranges and refrigerators. There is an increased risk of electric shock if your body is earthed or grounded.
- To prevent electric shock, use only with an extension cord suitable for outdoor use. For additional protection, the installation of a residual current device (RCD) having a rated residual operating current not exceeding 30mA is advisable.
- Before use, check that the extension cord is in good condition. When using an extension cord, make sure to use one heavy enough to carry the current your product will draw. An undersized cord will cause a drop in line voltage resulting in loss of power and overheating.
- Do not allow any part of the machine to make contact with water while it is in operation. If the appliance becomes wet while turned off, wipe dry before starting. Do not touch the appliance or its plug with wet hands or while standing in water. Wearing rubber boots offers some protection.
- Before use, check the supply and extension cord for signs of damage or aging. If the cord becomes damaged during use, disconnect the cord from the supply immediately. If the supply cord is damaged, it must be replaced by the manufacturer or a qualified person in order to avoid a hazard.

Double-Insulated Appliances

In a double-insulated appliance, two systems of insulation are provided instead of grounding. No grounding means that it is already provided on a double-insulated appliance. Servicing a double-insulated appliance requires extreme care and knowledge of the system, and should be performed only by qualified service personnel. Replacement parts for a double-insulated appliance must be identical to the parts they replace.

Safety Information

Vibrations (Where Applicable)

- Prolonged use of hand held (operated) machines will cause the user to feel the effects of/from vibrations. These vibrations can lead to white finger (Raynaud's phenomenon) or carpal tunnel syndrome. This condition reduces the ability of the hand to feel and regulate temperature, causing numbness and heat sensations and may cause nerve damage and circulatory tissue death.
- Not all factors that lead to white finger disease are known, but cold weather, smoking and other diseases that affect blood vessels and blood circulation as well as large and long-lasting impact of shocks are considered factors in the formation of white finger. Note the following to reduce the risk of white finger and carpal tunnel syndrome;
- Wear gloves and keep your hands warm.
- Take regular breaks.
- All of the above precautions may help reduce the risk of white finger disease but not rule out the carpal tunnel syndrome. Long-term and regular users are therefore recommended to observe the condition of your hands and fingers. Seek medical attention immediately if any of the above symptoms should occur.

Noise (Where Applicable)

- The operating noise of the machine can damage your hearing. When wearing protection such as earplugs or ear defenders to protect your hearing. Long-term and regular users are advised to have hearing checked regularly. Be especially vigilant and cautious when wearing ear protection because your ability to hear alarm warnings will be reduced.
- Noise emissions for this equipment is unavoidable. Carry out noisy work at approved times and for certain periods. Limit the working time to a minimum. For your personal protection and protection of people working nearby it is also advisable for them to wear hearing protection.



- See Certificate of Conformity section for Outdoor Noise declaration of conformity.

Residual Risks

Even when tool is used as prescribed it is not possible to eliminate all residual risk factors. The following hazards may arise in connection with the tool's construction and design:

1. Damage to lungs if an effective dust mask is not worn.
2. Damage to hearing if effective hearing protection is not worn.

Health defects resulting from vibration emission if the power tool is being used over longer period of time or not adequately managed and properly maintained.

▲ WARNING! This machine produces an electromagnetic field during operation. This field may under some circumstances interfere with active or passive medical implants. To reduce the risk of serious or fatal injury, we recommend persons with medical implants to consult their physician and the medical implant manufacturer before operating this machine.

Safety Information

Intended Use

The HYW1900E is an electric pressure washer from HYUNDAI. The HYW1900E is powered by a 1900W HYUNDAI motor.

The machine is manufactured according to the latest safety requirements. Every precaution is only effective when it is followed exactly.

Intended Use

The machine can be used for washing surfaces outdoors, whenever pressurised water is required to remove dirt.

User Types

This machine is intended for use by consumers, i.e. non professional operators. The machine is intended for “DIY” and domestic use only.

Improper Use

Any other usage not in keeping with the above mentioned ones may be hazardous and harm persons and/or damage things. The machine is designed for using clean water, do not use corrosive chemicals.

Safety Information

Personal Protective Equipment

Appropriate Personal Protective Equipment (PPE), MUST be worn at all times when operating or repairing the machine. No protective equipment can ensure 100% protection.

When selecting PPE, make sure it's CE marked and it suits the user in terms of size, fit, etc. If more than one item of PPE is worn at the same time, make sure they can be used together, e.g. wearing safety glasses may disturb the seal of a respirator, causing air leaks.



Hand Protection Must Be Worn

Protective electrically non-conductive gloves are highly recommended when working.



Foot Protection Must Be Worn

Non-skid heavy duty footwear are highly recommended when working.



Hearing Protection Must Be Worn

Suitable safety hearing protection is recommended.



Eye Protection Must Be Worn

Always wear safety glasses/goggles and/or face shields. Everyday eyeglasses have only impact resistant lenses; they are not safety glasses/goggles.



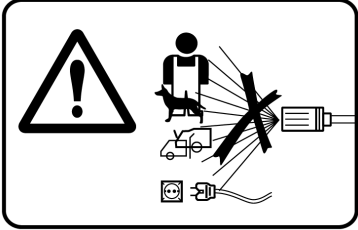




Protective Clothing Must Be Worn

Do not wear loose clothing, gloves, scarfs, neckties or jewellery (rings, wrist watches), which can be caught in moving parts.

Safety Information

⚠ Symbols On The Machine

We have provided safety messages in this manual and on the machine. This information alerts you to potential hazards that could hurt you or others. Please read these messages carefully. However, we may not have listed all of the possible hazards, you must also use your own judgement.

Symbol	Description
	DO NOT direct the spray at people, animals, live electrical equipment or the appliance.
	Class II tools symbol.
	Disposal.
	Sound power level LWA data in dB.
	This product complies with the European directives and an evaluation method of conformity for these directives was done.

Unboxing

⚠ WARNING : Unboxing and assembling the machine should be done on a flat, surface with enough room. Disposal of the packaging should be done in accordance with the local regulations in force.

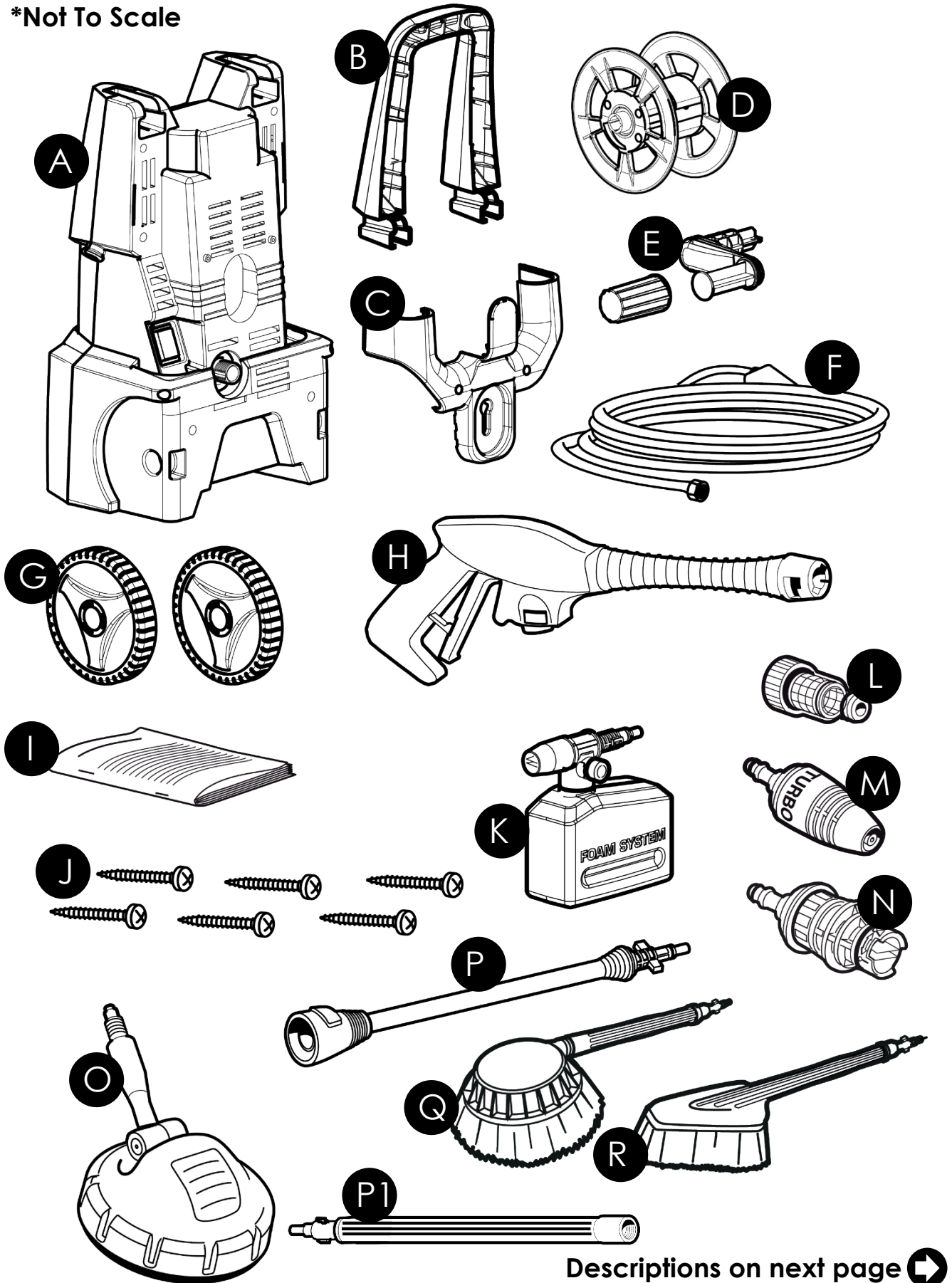
⚠ WARNING : Some of the packaging material may be harmful to children. Keep out of reach of children.

1. Carefully remove the product from the packaging and examine it for any sign of damage caused during shipping.
2. Lay the contents out and check them. If any part is damaged or missing, you must not use the machine. Contact HYUNDAI POWER PRODUCTS immediately.
3. You must keep the packaging material in case the machine needs to be returned or repaired.
4. Ensure that you have all the accessories and tools you need for assembly and operation including the suitable personal protective equipment.

We recommend that you fill out the information in the 'Product Record' section. If you need to contact an authorised dealer or customer service, you may need to provide this information.

In The Box

*Not To Scale

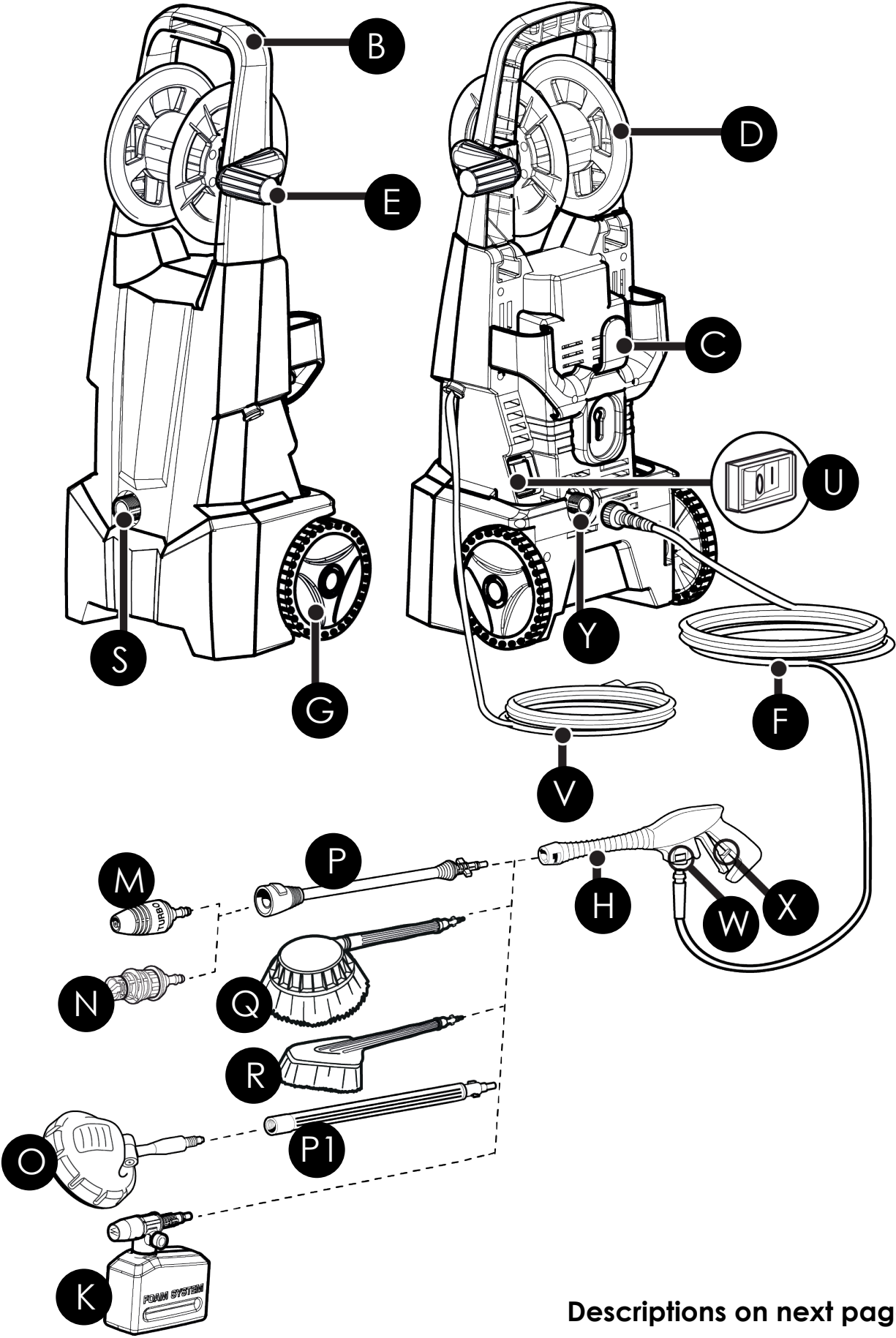


Descriptions on next page 

In The Box

- A Main Body**
This is the main part of the pressure washer.
- B Carry Handle**
This slots into the top of the machine so you can carry it.
- C Accessory & Cable Holder**
This attaches to the rear of the machine. It will hold your accessories and keep your cable tidy.
- D Hose Storage Reel**
This keeps the high pressure hose tidy whilst in storage.
- E Hose Storage Reel Handle**
Use this to wind and unwind the hose storage reel.
- F High Pressure Hose 6m**
Connect this to the outlet and the gun.
- G 2 x Wheels**
These allow you to transport your pressure washer easily.
- H Gun With Quick Coupling**
You must hold this with both hands when using the machine.
- I User Manual**
You must read this before use.
- J 6 x Screws**
2 of these are for attaching the accessory & cable holder to the rear of the machine. The other 4 are for assembling the hose storage reel.
- K Foam System**
Ideal for cleaning cars, motorcycles, etc. Also for applying cleaning products to wood and stone surfaces.
- L Water Filter**
This will filter out any loose debris from the inlet water to help protect the pump.
- M Turbo Nozzle**
This creates a powerful, concentrated jet of water.
- N Variable Jet Nozzle**
You can use this nozzle to change from a narrow spray to a wide spray.
- O Patio Cleaner**
Ideal for cleaning patios.
- P Lance For Interchangeable Nozzle Head**
You can attach the turbo nozzle and variable jet nozzle to this.
- P1 Extension Lance**
The patio cleaner attaches to this.
- Q Rotating Brush**
The inner part of the brush rotates when in use. Ideal for smooth surfaces that need a deep clean. The brush rotates its soft bristles to get beneath the grime and the 180° adjustable joint fixes the rotating brush into the right position to make the job easy.
- R Fixed Brush**
Ideal for cleaning stubborn dirt and grit.

Features



Descriptions on next page 

Features

- B Carry Handle**
This slots into the top of the machine so you can carry it.
- C Accessory & Cable Holder**
This attaches to the rear of the machine. It will hold your accessories and keep your cable tidy.
- D Hose Storage Reel**
This keeps the high pressure hose tidy whilst in storage.
- E Hose Storage Reel Handle**
Use this to wind and unwind the hose storage reel.
- F High Pressure Hose 6m**
Connect this to the outlet and gun.
- G 2 x Wheels**
These allow you to transport your pressure washer easily.
- H Gun With Quick Coupling**
You must hold this with both hands when using the machine.
- K Foam System**
Ideal for cleaning cars, motorcycles, etc. Also for applying cleaning products to wood and stone surfaces.
- M Turbo Nozzle**
This creates a powerful, concentrated jet of water.
- N Variable Jet Nozzle**
You can use this nozzle to change from a narrow spray to a wide spray.
- O Patio Cleaner**
Ideal for cleaning patios.
- P Lance For Interchangeable Nozzle Head**
You can attach the turbo nozzle and variable jet nozzle to this.
- P1 Extension Lance**
The patio cleaner attaches to this.
- Q Rotating Brush**
The inner part of the brush rotates when in use. Ideal for smooth surfaces that need a deep clean. The brush rotates its soft bristles to get beneath the grime and the 180° adjustable joint fixes the rotating brush into the right position to make the job easy.
- R Fixed Brush**
Ideal for cleaning stubborn dirt and grit.
- S Inlet**
Connect the water supply hose here.
- U On/Off Switch**
Use this to turn the machine on and off.
- V Power Cable 5m**
- W High Pressure Hose Release Button**
Use this button to release the high pressure hose from the gun.
- X Trigger Lock**
This locks the trigger to stop it being accidentally pressed.
- Y Outlet**
Connect the high pressure hose here.

Assembly

Assembly Overview

There are 7 steps to the assembly:

STEP 1. Attach Accessory & Cable Holder

STEP 2. Attach Wheels

STEP 3. Assemble Hose Storage Reel

STEP 4. Attach Water Filter

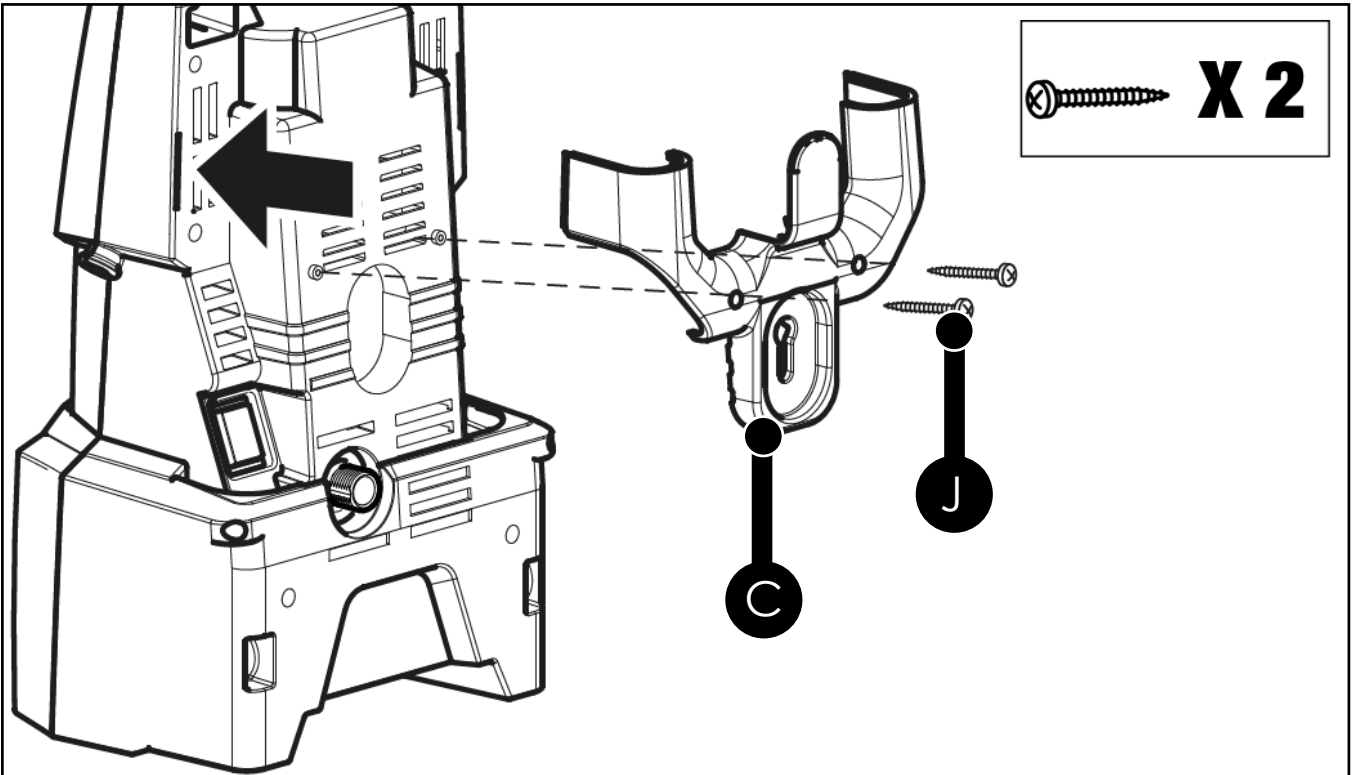
STEP 5. Attach Water Supply Hose

STEP 6. Attach High Pressure Hose

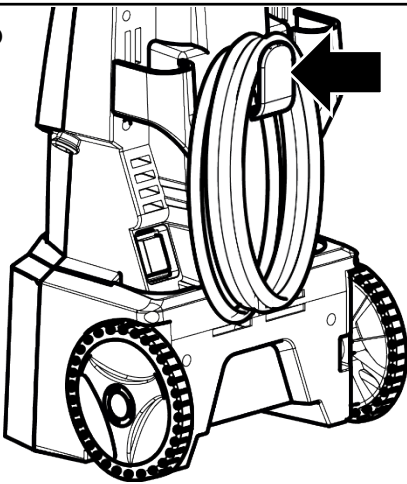
STEP 7: Attach Accessories

STEP 1 : Attach Accessory & Cable Holder

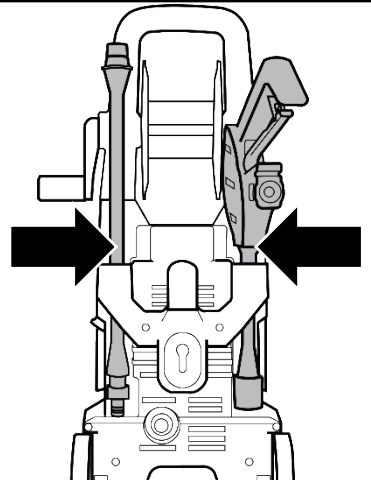
1. Use the supplied screws (**J**) to attach the accessory & cable holder (**C**) to the rear of the machine.



You can keep the power cable tidy by wrapping it around the hook.



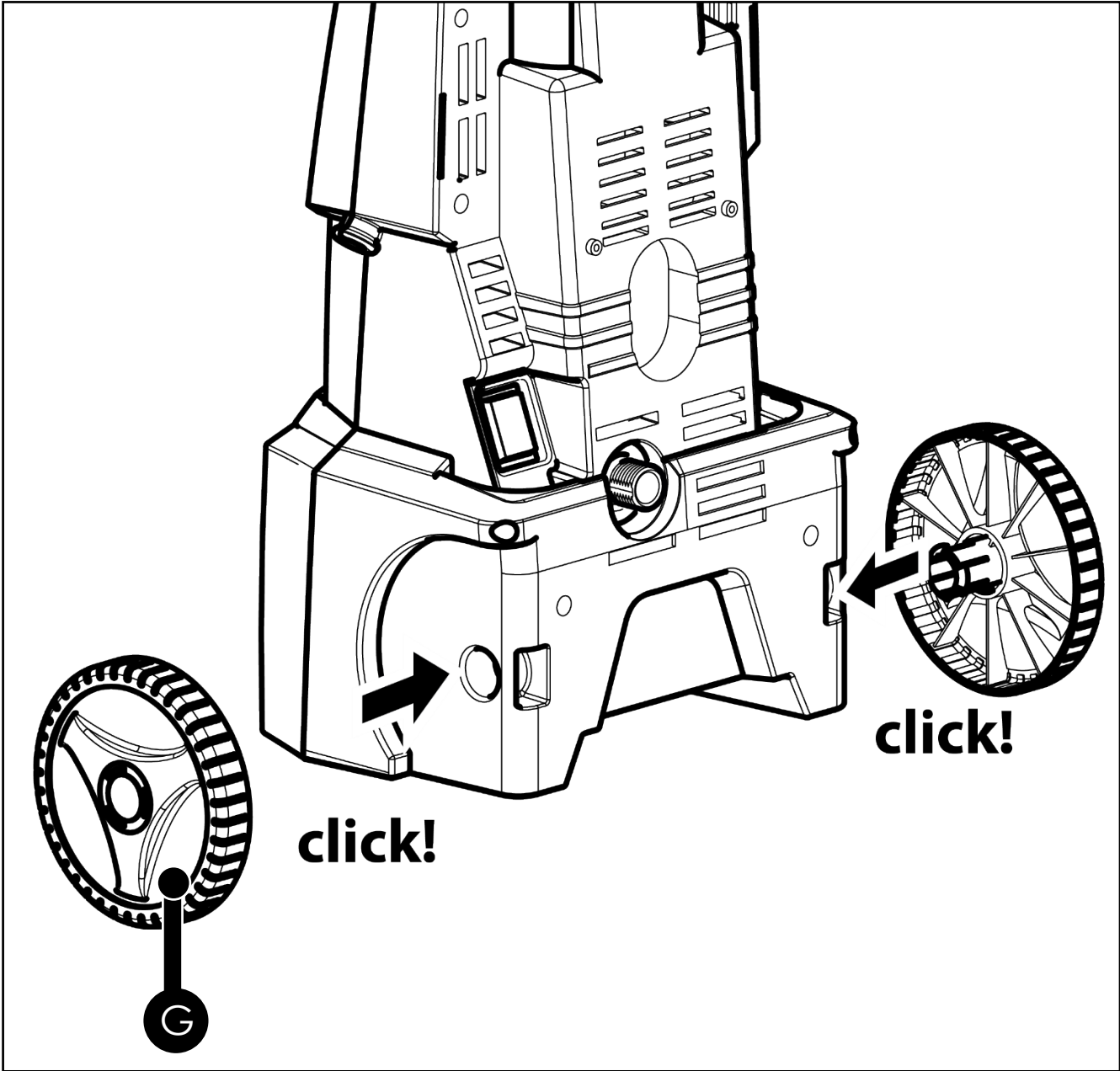
You can store the gun and accessories in the slots.



Assembly

STEP 2 : Attach Wheels

1. Click the wheels (G) into place.

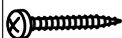


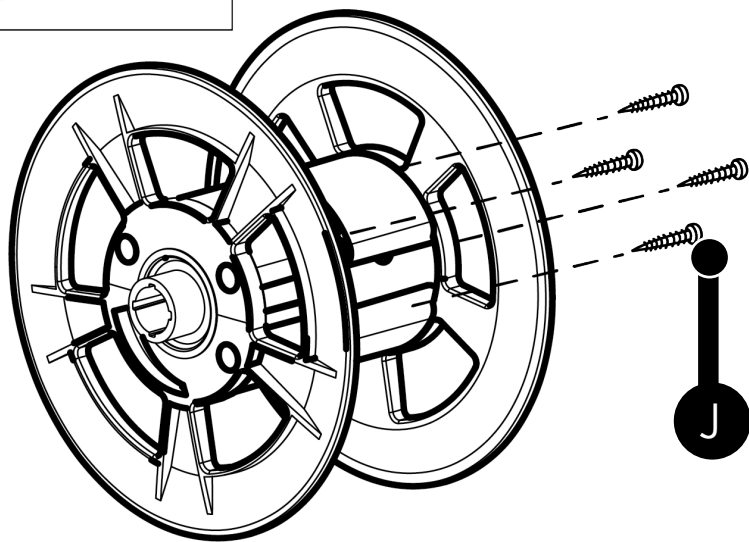
Assembly

STEP 3 : Assemble Hose Storage Reel

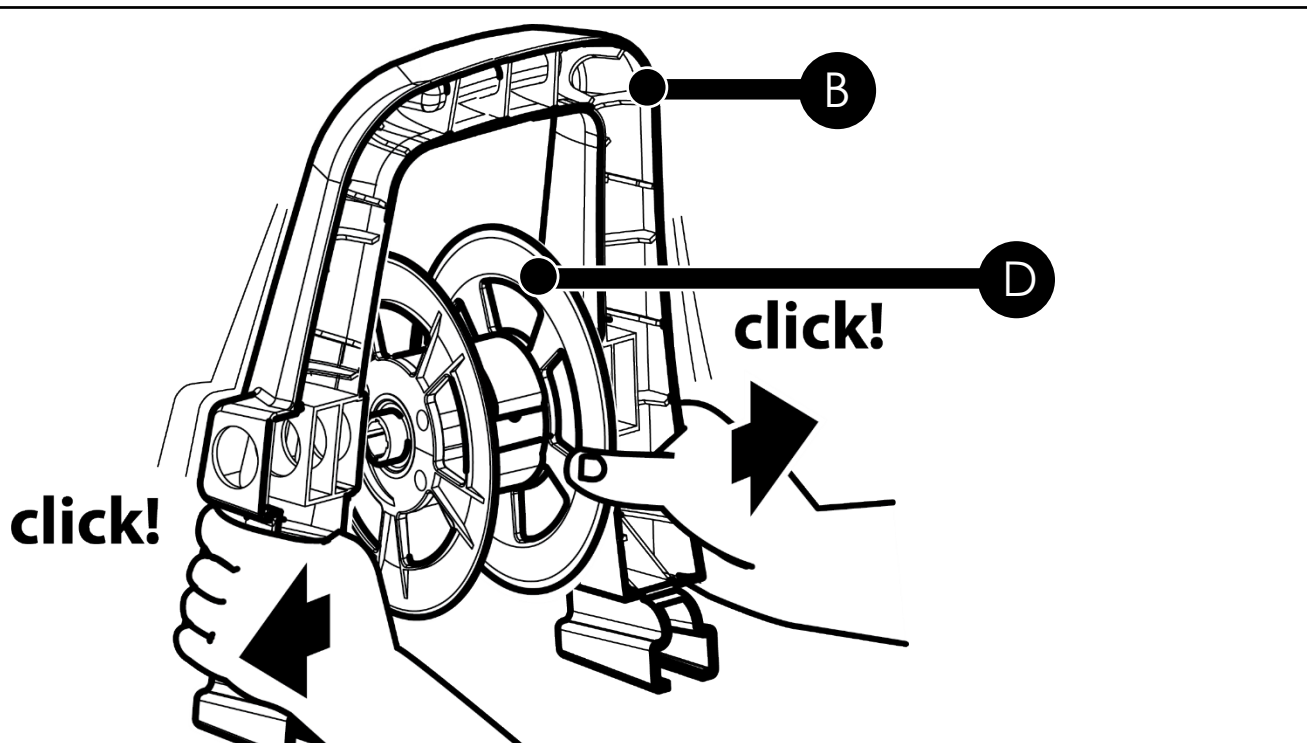
⚠ PLEASE NOTE – The hose storage reel is for storing the high pressure hose when not in use.

1. Screw 4 screws **(J)** into the hose storage reel.

 **x 4**



2. Click the hose storage reel **(D)** into place in the carry handle **(B)**.

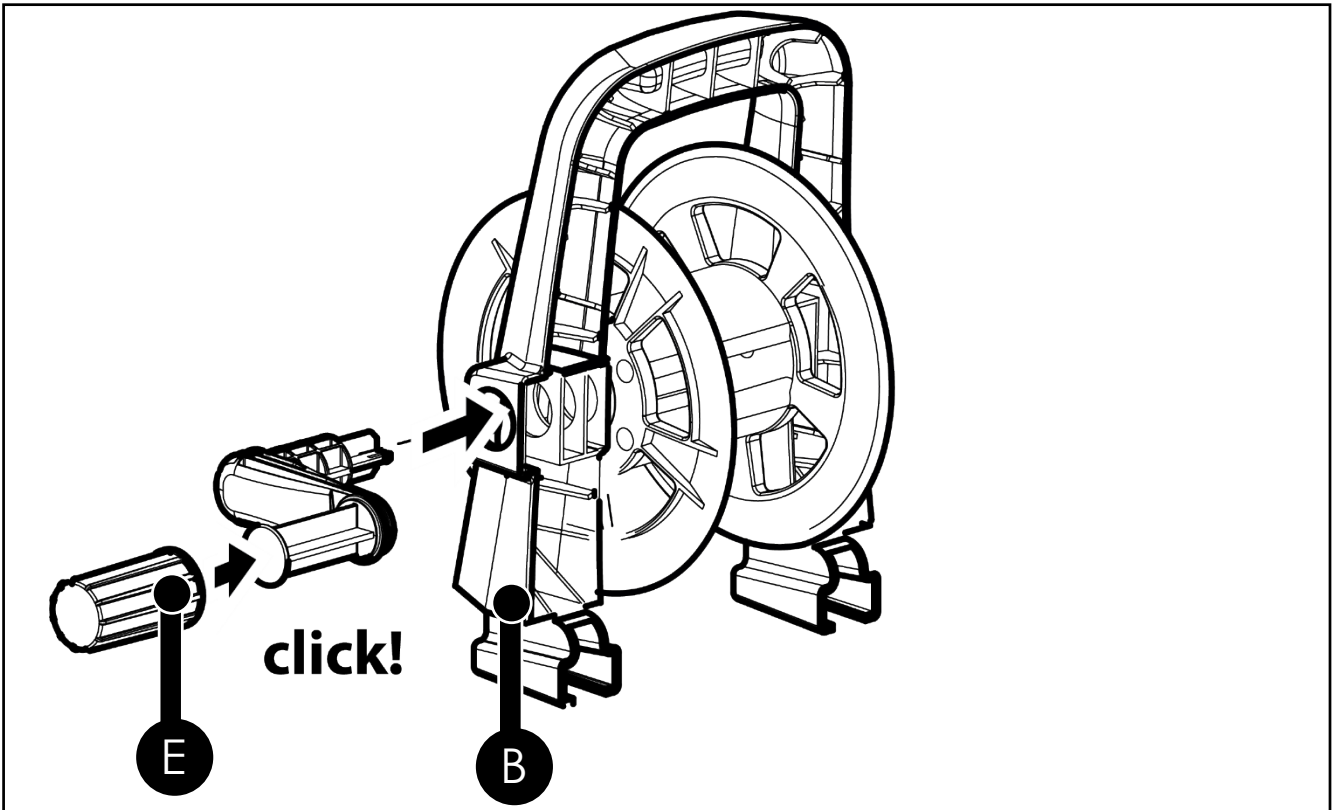


Continued on next page 

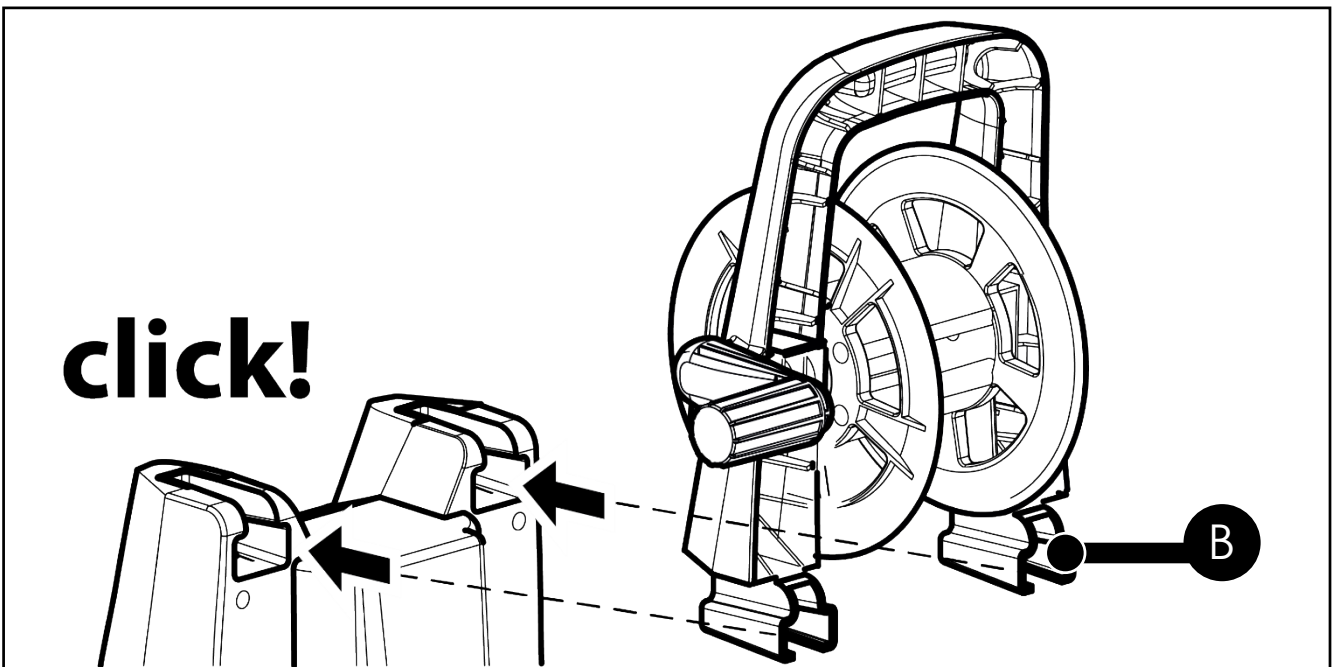
Assembly

STEP 3 : Assemble Hose Storage Reel (Continued)

3. Click the 2 parts of the reel handle (**E**) together as shown below. Then click into the carry handle (**B**).



4. Slot the carry handle (**B**) into place on top of the machine.



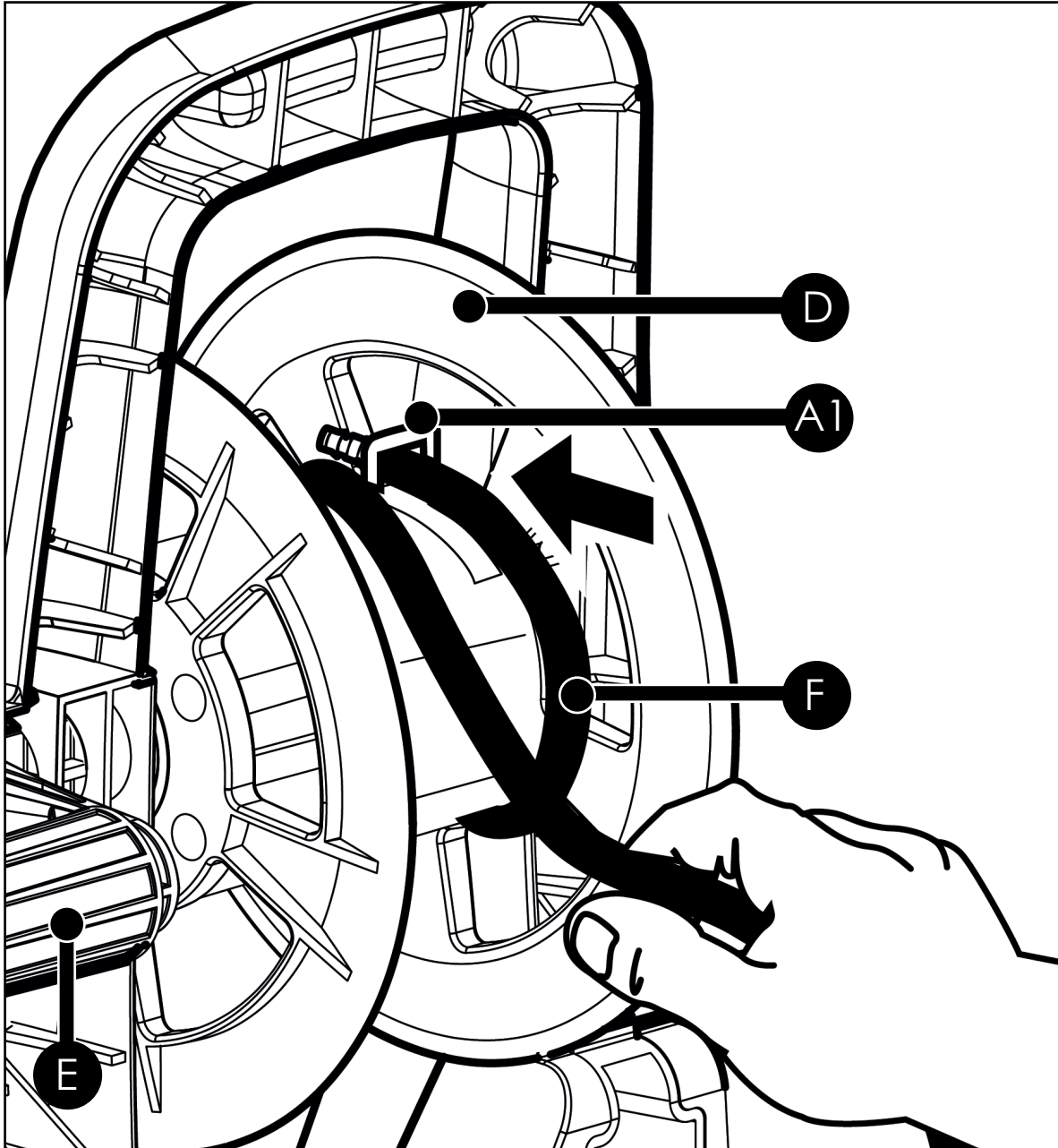
Continued on next page 

Assembly

STEP 3 : Assemble Hose Storage Reel (Continued)

⚠ PLEASE NOTE – The hose storage reel is for storing the high pressure hose when not in use.

5. Clip the end of the high pressure hose (**F**) into the clip (**A1**) on the hose storage reel.
6. Use the hose storage reel handle (**E**) to wind up the high pressure hose (**F**).
7. Before using the machine, you must unwind the high pressure hose (**F**) from the hose storage reel (**D**). Use the hose storage reel handle (**E**) to do this and unclip the end of the high pressure hose (**F**) from the clip (**A1**).

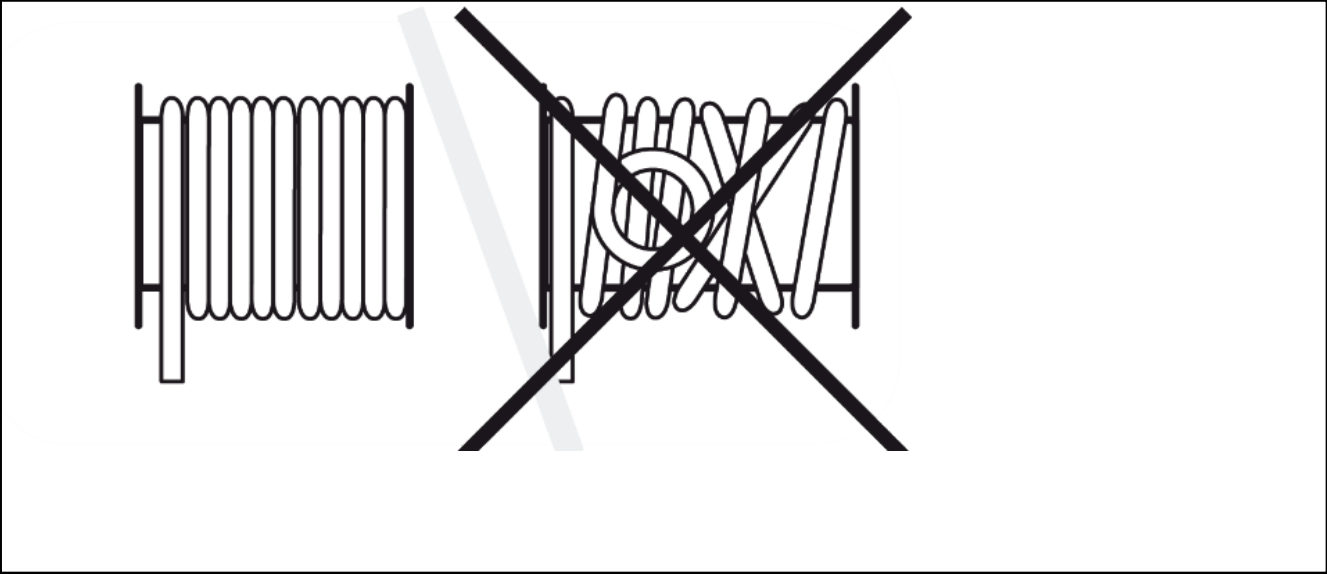


Continued on next page 

Assembly

STEP 3 : Assemble Hose Storage Reel (Continued)

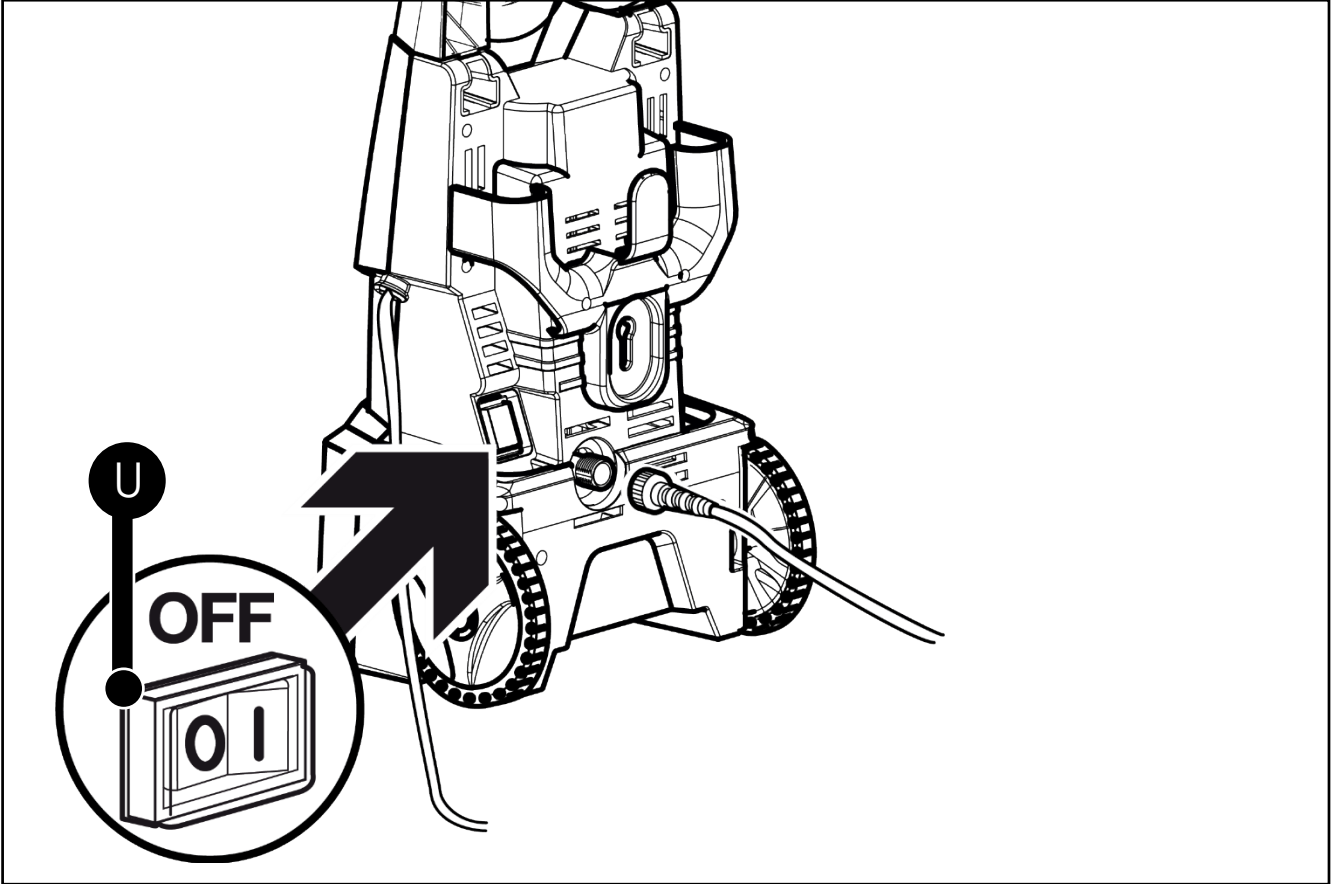
8. When winding the hose storage reel, make sure it is tidy and not overlapping at all.



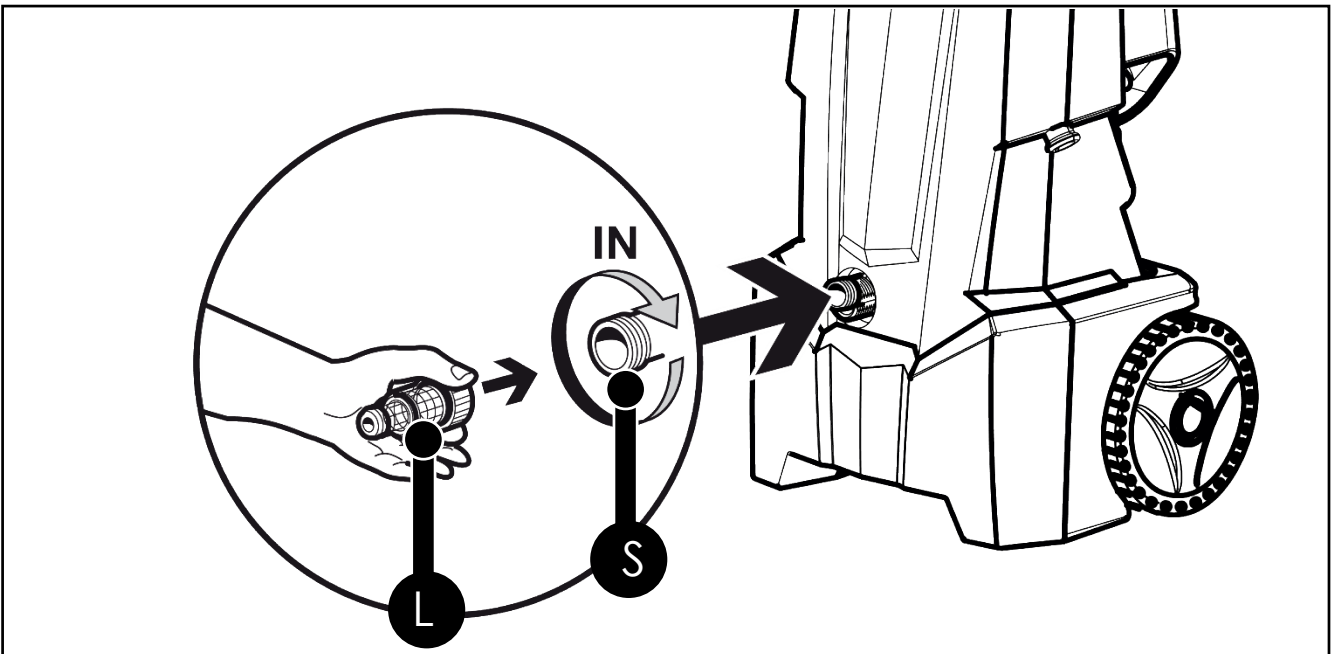
Assembly

STEP 4 : Attach Water Filter

1. Make sure the On/Off switch (**U**) on the machine is in the OFF position.



2. Connect the water filter (**L**) to the inlet (**S**) on the front of the machine.



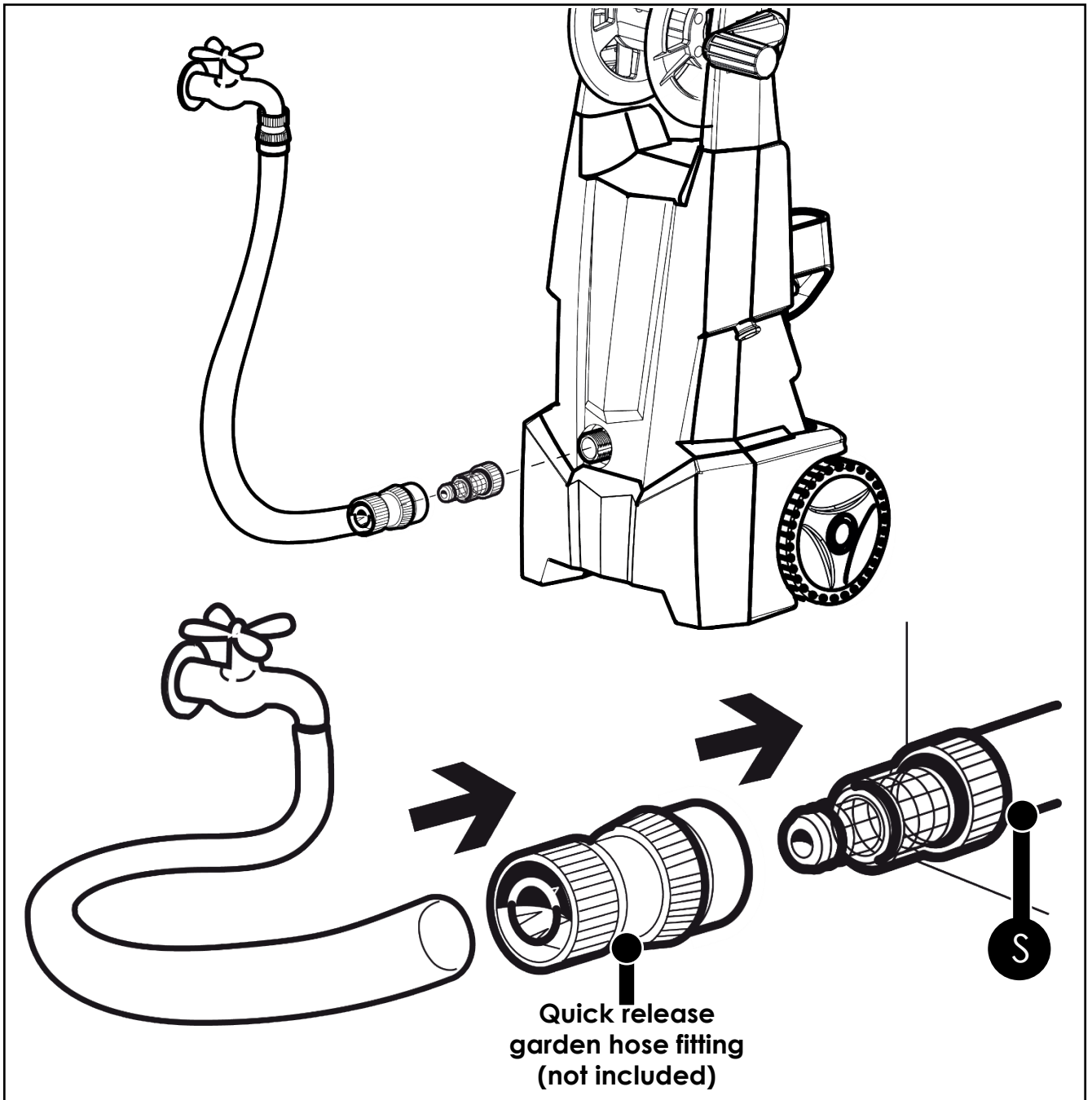
Assembly

STEP 5 : Attach Water Supply Hose

1. Connect the water supply hose (**not included**) to the inlet (**S**) at the front of the machine using a quick release garden hose fitting (**not included**).
2. Once you are ready to work, turn the water supply on at the tap.

⚠ IMPORTANT: Only clean or filtered water should be used for intake. The delivery of the water intake tap should be equal to the double of the maximum pump range.

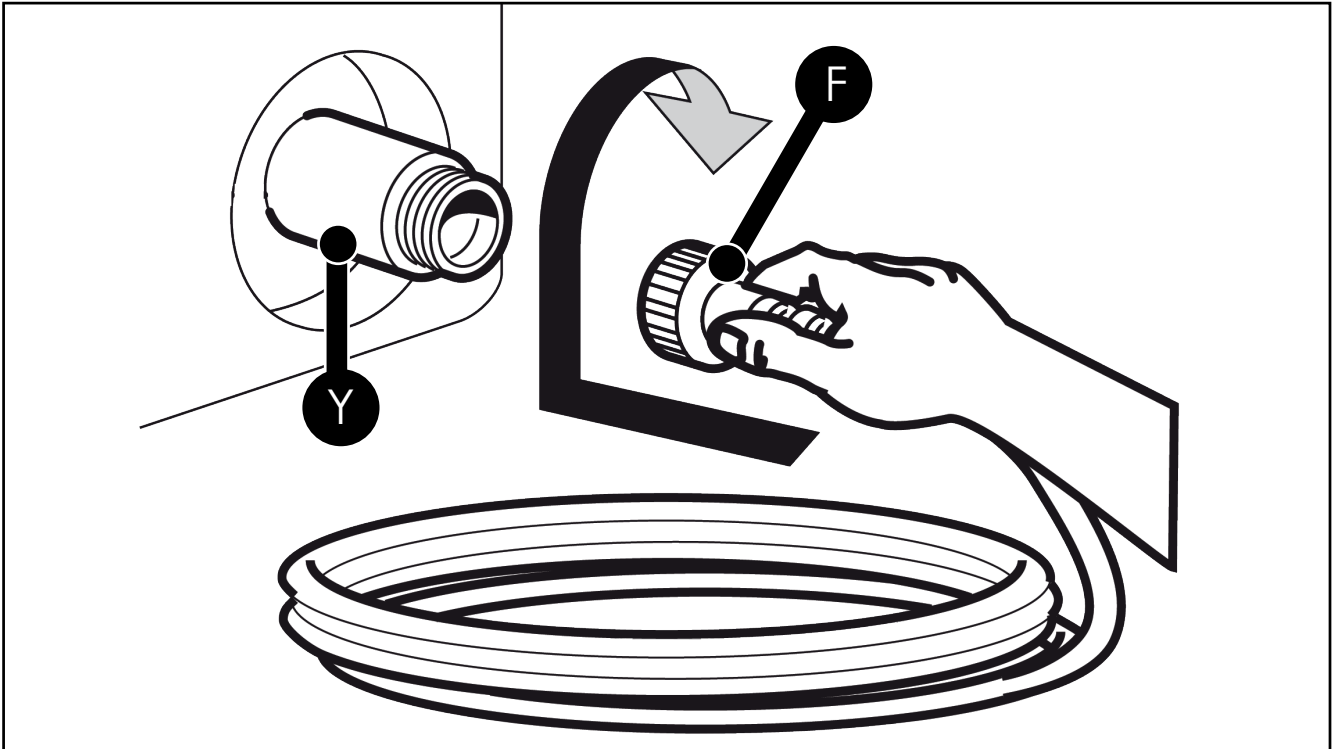
- Minimum delivery rate: 15L/min
- Maximum intake water temperature: 40°C
- Maximum inlet water pressure: 1Mpa



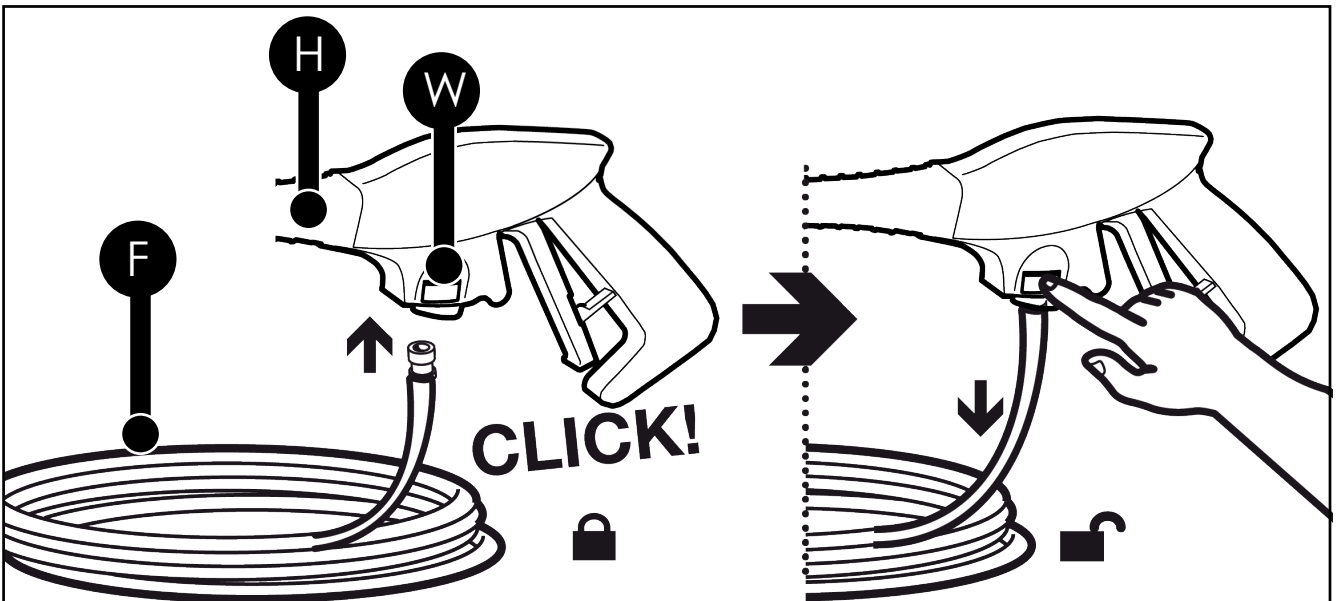
Assembly

STEP 6 : Attach High Pressure Hose

1. Connect the high pressure hose (F) to the outlet (Y).



2. Attach the high pressure hose (F) to the gun (H), it will click into place. To release the high pressure hose, push the release button (W). If the trigger is not depressed whilst disconnecting the lance from the hose, the connector may be hydro-locked and it will not be possible to remove. Excess pressure that can occur even after the unit is shut down can be released by squeezing the trigger.

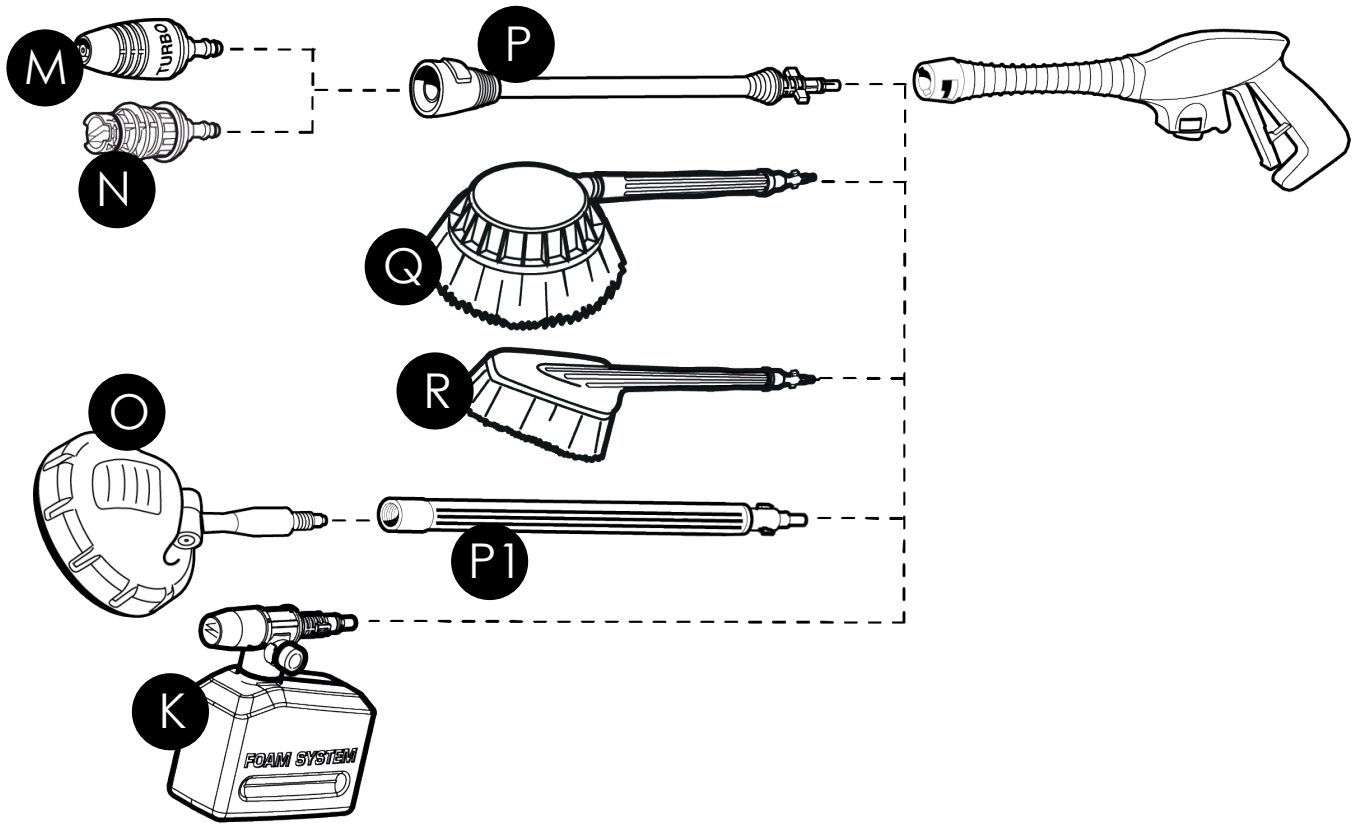


⚠ Make sure the high pressure hose is connected securely to avoid leaks.

Assembly

STEP 7 : Attach Accessories

Included Accessories:



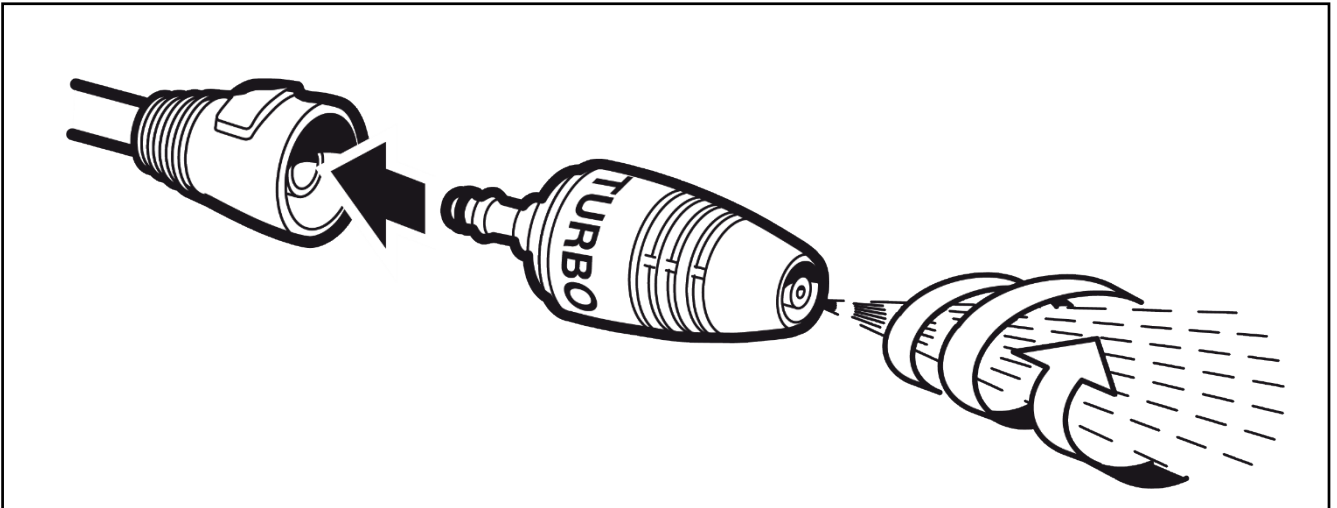
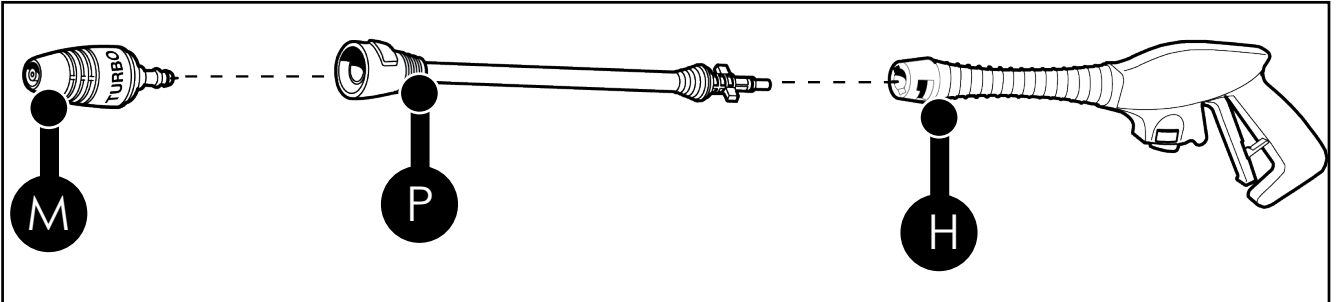
- M Turbo Nozzle**
This creates a powerful, concentrated jet of water.
- N Variable Jet Nozzle**
You can use this nozzle to change from a narrow spray to a wide spray.
- P Lance For Interchangeable Nozzle Head**
You can attach the turbo nozzle and variable jet nozzle to this.
- P1 Extension Lance**
The patio cleaner attaches to this.
- R Fixed Brush**
Ideal for cleaning stubborn dirt and grit.
- K Foam System**
Ideal for cleaning cars, motorcycles, etc. Also for applying cleaning products to wood and stone surfaces.
- Q Rotating Brush**
The inner part of the brush rotates when in use. Ideal for smooth surfaces that need a deep clean. The brush rotates its soft bristles to get beneath the grime and the 180° adjustable joint fixes the rotating brush into the right position to make the job easy.
- O Patio Cleaner**
Ideal for cleaning patios.

Assembly

Turbo Nozzle

How To Attach

1. Attach the turbo nozzle (**M**) onto the lance for interchangeable nozzle head (**P**).
2. Attach the lance (**P**) onto the gun (**H**) by lining up the studs on the base of the lance with the slots in the gun. Push the lance into the gun and twist in a clockwise direction.



Turbo Nozzle Uses

The concentrated jet is ideal for cleaning stubborn dirt.

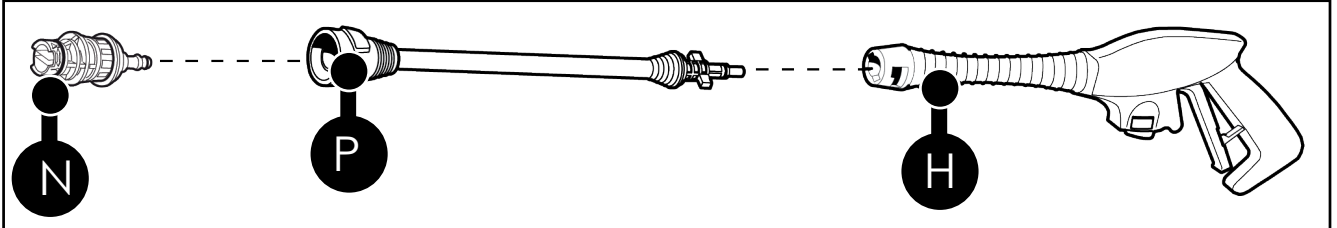
How To Remove

1. To remove the turbo nozzle (**M**) from the lance (**P**), press the release button on the lance.
2. To remove the lance (**P**) from the gun (**H**), push the lance in, whilst twisting in an anti-clockwise direction to release the lance.

Variable Jet Nozzle

How To Attach


1. Attach the variable jet nozzle (**N**) onto the lance for interchangeable nozzle head (**P**).
2. Attach the lance (**P**) onto the gun (**H**) by lining up the studs on the base of the lance with the slots in the gun. Push the lance into the gun and twist in a clockwise direction.



Variable Jet Nozzle Uses

You can use the variable jet nozzle to change from a narrow spray to a wide spray. The wider the spray, the less pressure which is ideal for delicate surfaces. The narrower the spray, the higher the pressure.

Spray Pattern	Uses	Surfaces
Narrow Pattern	This is a powerful narrow spray for spot cleaning of hard, unpainted surfaces or for hard to reach areas.	Suitable for: <ul style="list-style-type: none"> • Unpainted metal or concrete • DO NOT use on wood
Mid Pattern	Intense cleaning of unpainted, hard surfaces.	Suitable for: <ul style="list-style-type: none"> • Driveways • Grills • Brick or concrete paths and walkways • Unpainted brick
Mid Pattern	Standard cleaning for most applications.	Suitable for: <ul style="list-style-type: none"> • Garden tools • Pavements • Garden furniture • Unpainted siding • Gutters • Brick or concrete surfaces
Wide Pattern	Cleaning of painted or delicate surfaces.	Suitable for: <ul style="list-style-type: none"> • Vehicles • Wood • Painted brick • Vinyl • Painted siding

Continued on next page 

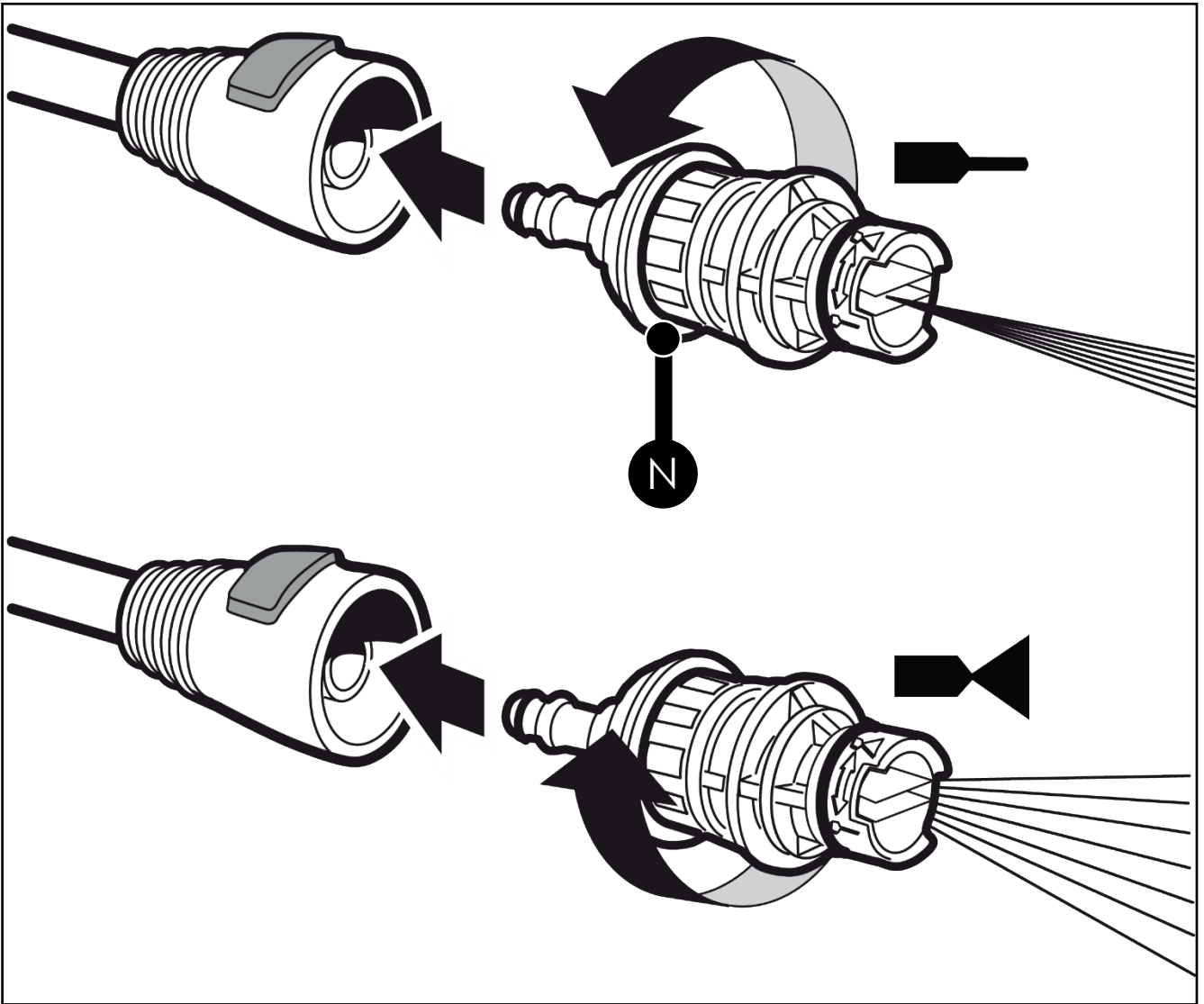
Assembly

Variable Jet Nozzle (Continued)

Adjusting Spray Width

To change the width of the spray, twist the nozzle (**N**) as shown in the image below. DO NOT adjust the nozzle when the trigger is squeezed.

The wider the spray, the less pressure which is ideal for delicate surfaces. The narrower the spray, the higher the pressure.



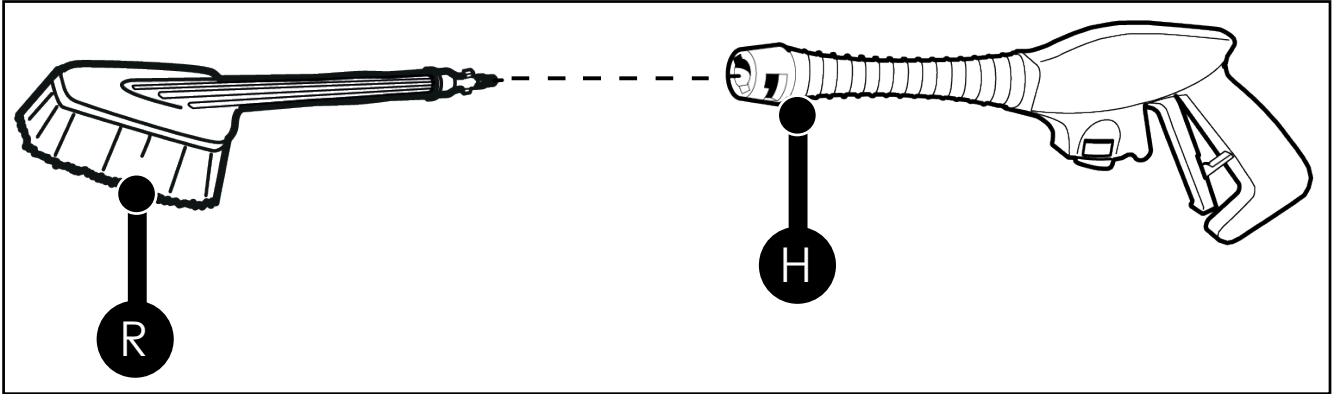
How To Remove

1. To remove the variable jet nozzle (**N**) from the lance (**P**), press the release button on the lance.
2. To remove the lance (**P**) from the gun (**H**), push the lance in, whilst twisting in an anti-clockwise direction to release the lance.

Fixed Brush

How To Attach

1. Attach the fixed brush (**R**) onto the gun (**H**) by lining up the studs on the base of the brush with the slots in the gun. Push the brush into the gun and twist in a clockwise direction.



Fixed Brush Uses

Ideal for cleaning stubborn dirt and grit.

How To Remove

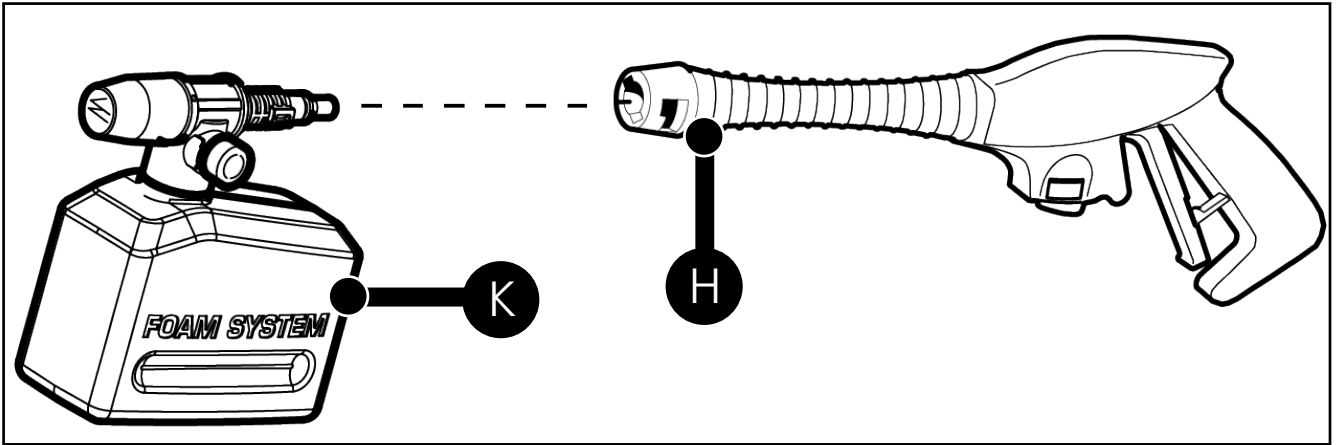
1. To remove the fixed brush (**R**) from the gun (**H**), push the fixed brush in, whilst twisting in an anti-clockwise direction to release the brush.

Assembly

Foam System

How To Attach

1. Attach the foam system (**K**) onto the gun (**H**) by lining up the studs on the end of the foam system with the slots in the gun. Push the foam system into the gun and twist in a clockwise direction.



Foam System Uses

Ideal for cleaning cars, motorcycles, etc. Also for applying cleaning products to wood and stone surfaces.

⚠ CAUTION – Damage may occur to painted surfaces if detergent is allowed to dry on the surface. Wash and rinse a small section at a time. Avoid working on hot surfaces or in direct sunlight.

How To Remove

1. To remove the foam system (**K**) from the gun (**H**), push the foam system in, whilst twisting in an anti-clockwise direction to release the foam system.

Continued on next page 

Assembly

Foam System (Continued)

Filling Foam System

1. Unscrew the lid of the foam system attachment (**K**). Pour in the detergent. Use the recommended mixing ratio advised by the detergent manufacturer. **Image 1.**
2. Screw the lid back on. **Image 2.**
3. Screw the attachment onto the gun (**H**). **Image 3.**
4. After use, make sure you wash foam system (**K**) out with water.

⚠ CAUTION – Only use detergents designed for pressure washers. **DO NOT** use household detergents, acids, alkaline solutions, flammable materials, solvents or industrial grade solutions. This could cause damage to the pressure washer. Always test the detergent in an inconspicuous area before use.

Image 1

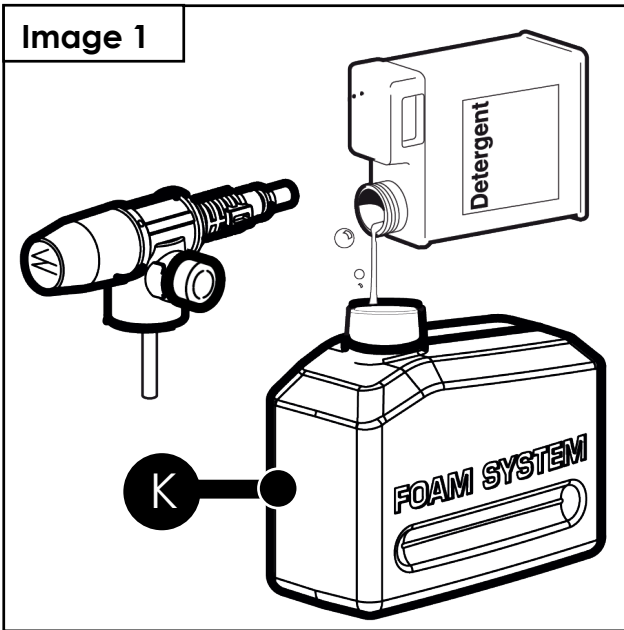


Image 2

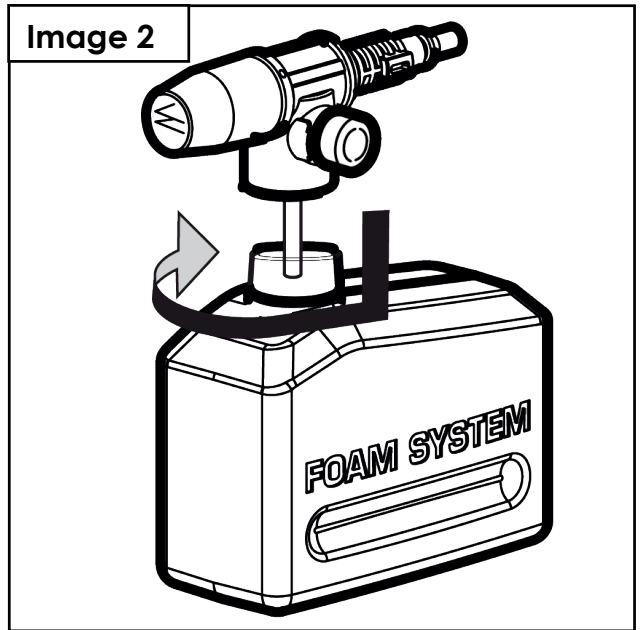
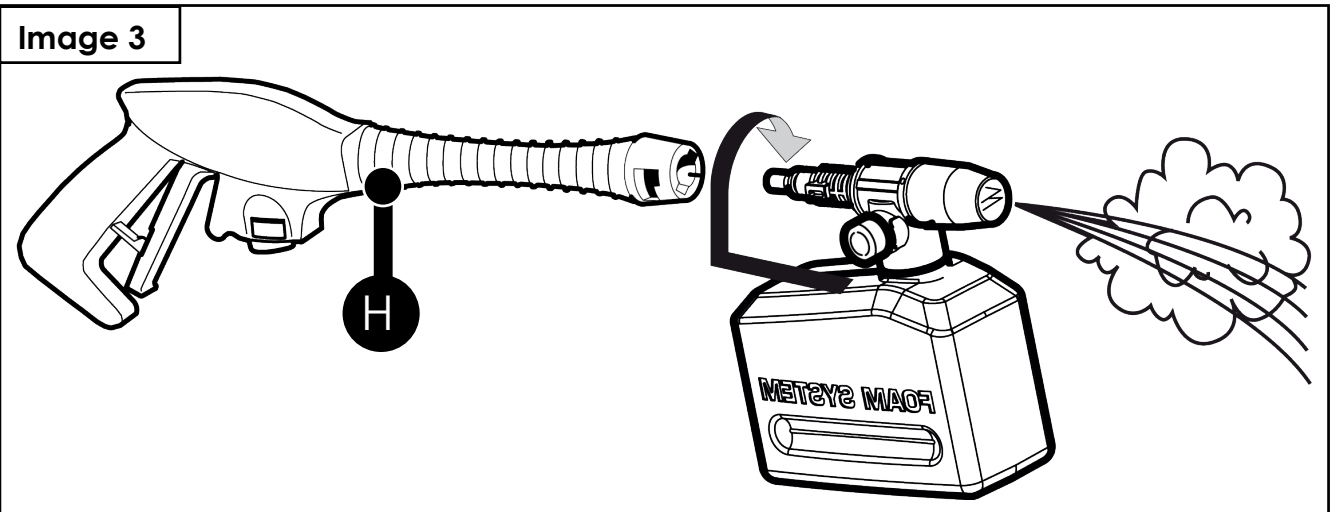


Image 3

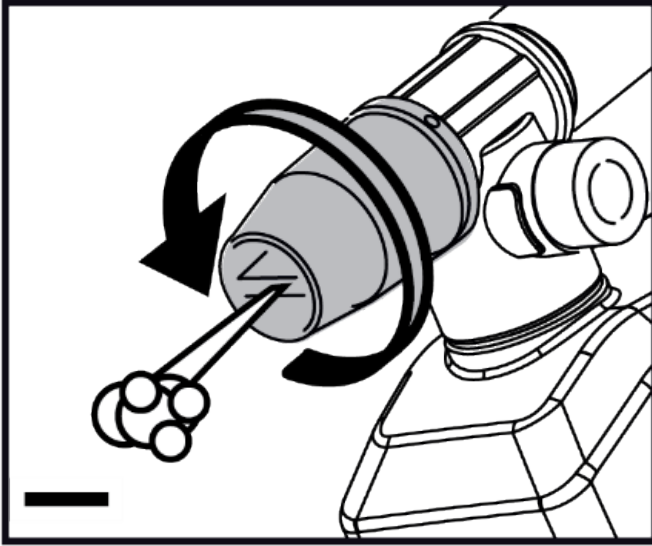


Continued on next page 

Assembly

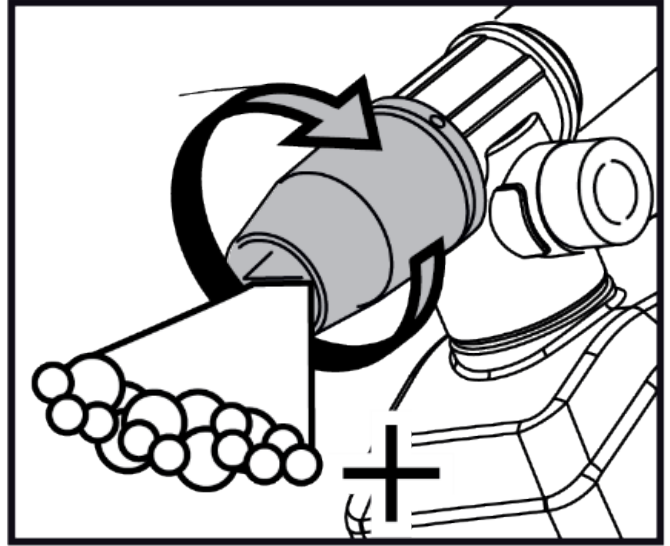
Foam System (Continued)

Using Foam System



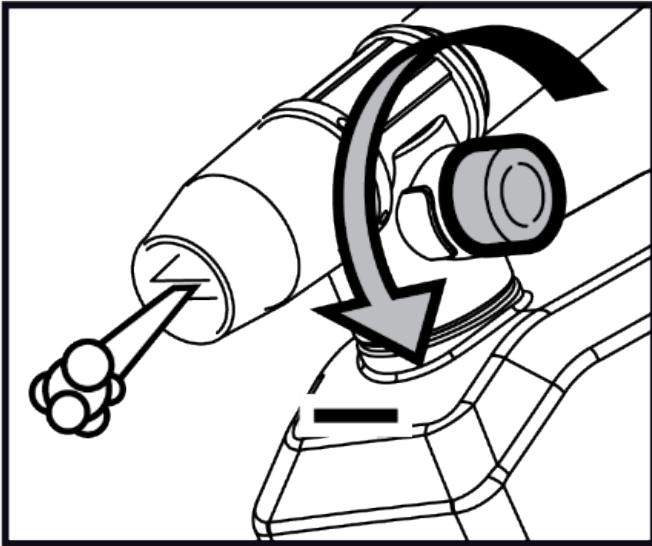
Narrow Water Jet

Rotate nozzle anti-clockwise to create a narrow water jet.



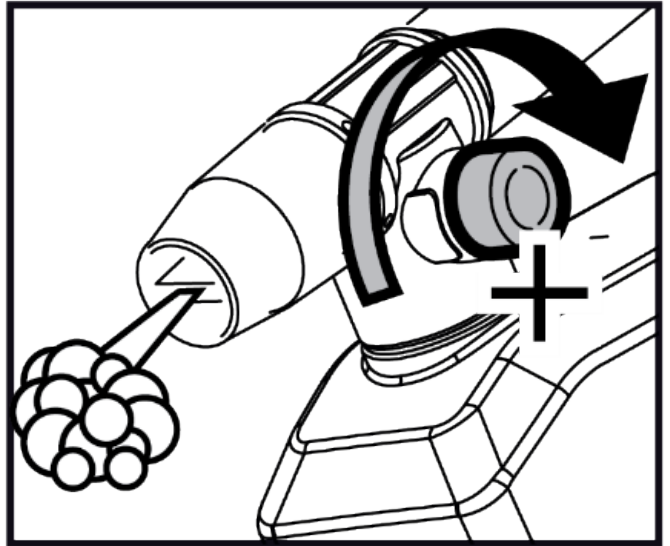
Wide Water Jet

Rotate nozzle clockwise to create a wide spread water jet.



Reduce Detergent Used

Turn adjuster anti-clockwise to reduce the amount of detergent mixture used.



Increase Detergent Used

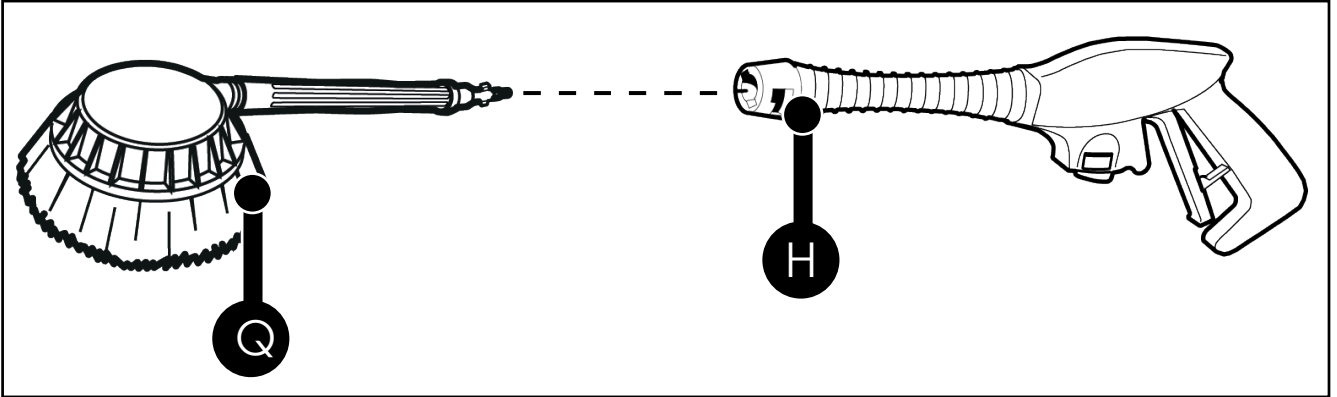
Turn adjuster clockwise to increase the amount of detergent mixture used.

Assembly

Rotating Brush

How To Attach

1. Attach the rotating brush **(Q)** onto the gun **(H)** by lining up the studs on the base of the brush with the slots in the gun. Push the brush into the gun and twist in a clockwise direction.



Rotating Brush Uses

Ideal for cleaning stubborn dirt and grit. The inner part of the brush rotates when in use. Ideal for smooth surfaces that need a deep clean. The brush rotates its soft bristles to get beneath the grime and the 180° adjustable joint fixes the rotating brush into the right position to make the job easy.

How To Remove

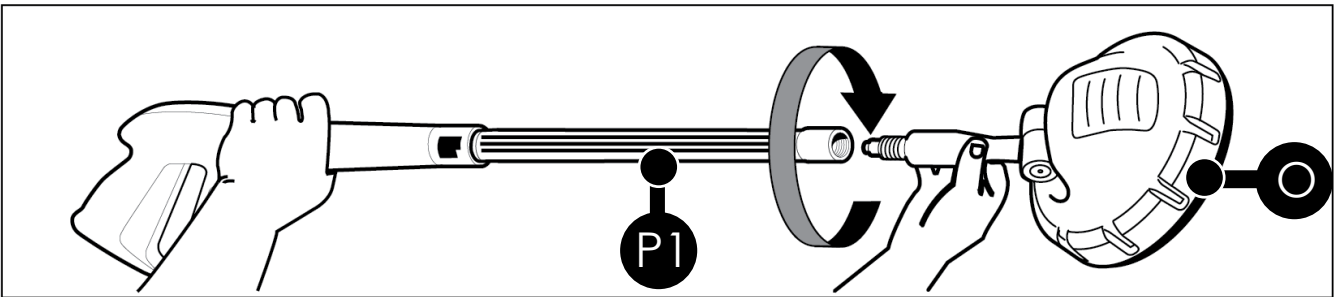
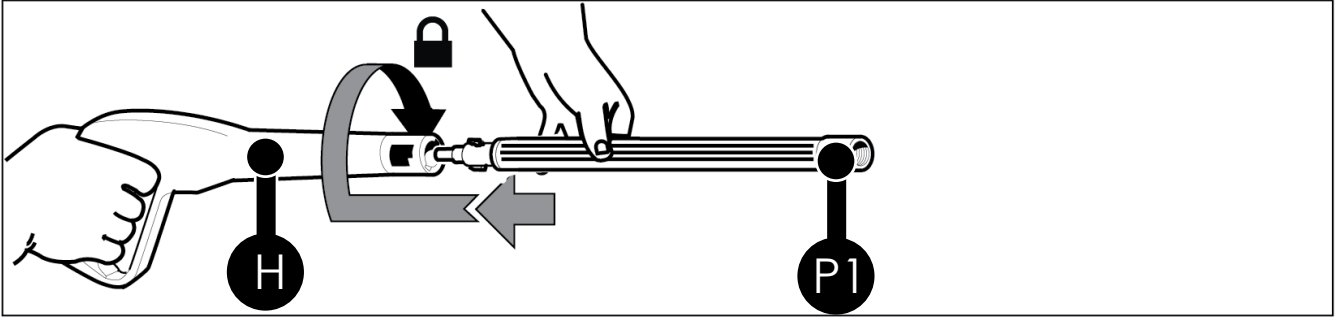
1. To remove the rotating brush **(Q)** from the gun **(H)**, push the brush in, whilst twisting in an anti-clockwise direction to release the brush.

Assembly

Patio Cleaner

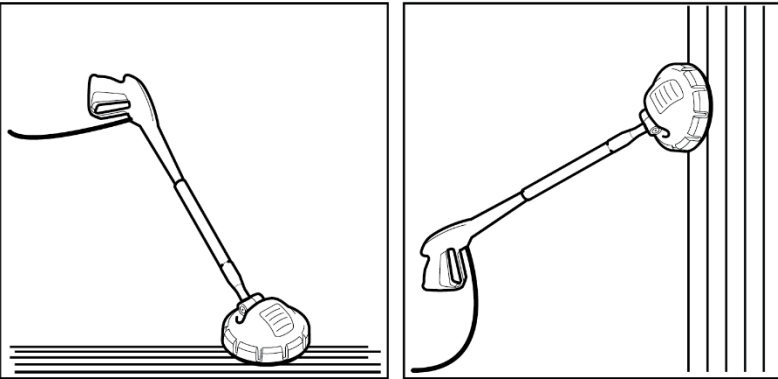
How To Attach

1. Attach the extension lance (**P1**) onto the gun (**H**) by lining up the studs on the base of the lance with the slots in the gun. Push the lance into the gun and twist in a clockwise direction.
2. Screw the patio cleaner (**O**) onto the extension lance (**P1**).

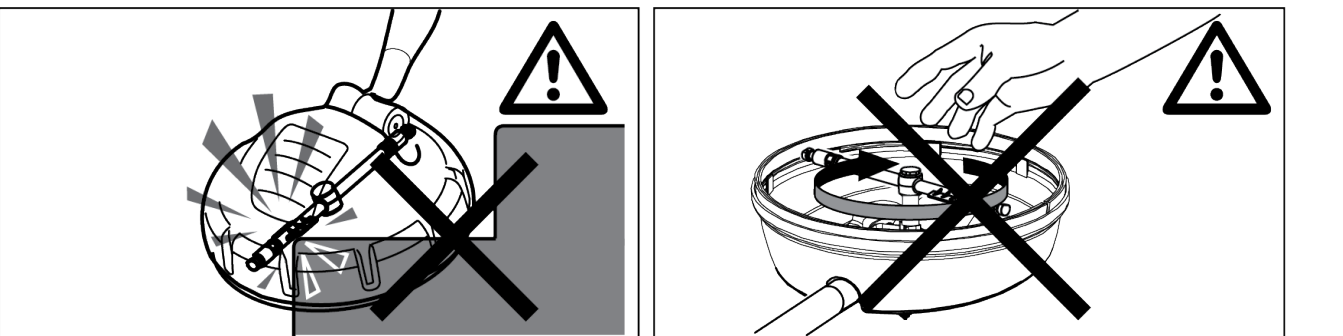


Patio Cleaner Uses

You can use the patio cleaner on horizontal and vertical surfaces.



⚠ WARNING – Do not use the patio cleaner on the edge of steps. Do not touch underneath the patio cleaner.



Operation

Tips For Use

- Pressure washing can be dangerous if not done correctly, it is important to prepare before working. Make sure you are wearing the correct PPE.
- Hold the pressure washer gun securely with both hands so you have control.
- Make sure you clear your work area before use. For example, if cleaning a patio, remove any furniture, plant pots and ornaments before starting. We also recommend using a broom to brush away any debris such as dirt and leaves.
- Take care when pressure washing near plants.
- If cleaning a vehicle, start at the top and work your way down.
- Do not hold nozzle too close to delicate objects.
- Make sure you read and understand the manual before use.

Before Starting Work

1. Check the condition of the cable, if damaged do not use.
2. Ensure that no objects or branches are trapped into the machine.
3. Ensure the work area is tidy and free of any obstacles.
4. Never operate the machine if it is damaged in any way.
5. Check the pressure washer for leaks.
6. You must bleed the gun before use. Squeeze the trigger to allow any air to escape. Continue until a stream of water comes from the nozzle.

Operation

Starting

⚠ YOU MUST read and understand the full safety instruction manual before starting the machine.

1. Before connecting to the mains power supply, always check the switch on the machine is in the OFF position. **Image 1.**
2. Connect to water supply
3. Press the On/Off switch on the machine (**U**) to the ON position. **Image 2.**
4. Turn the water supply on. **Image 3.**

Image 1

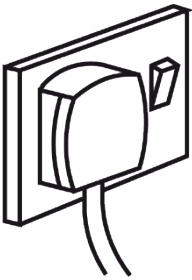


Image 2

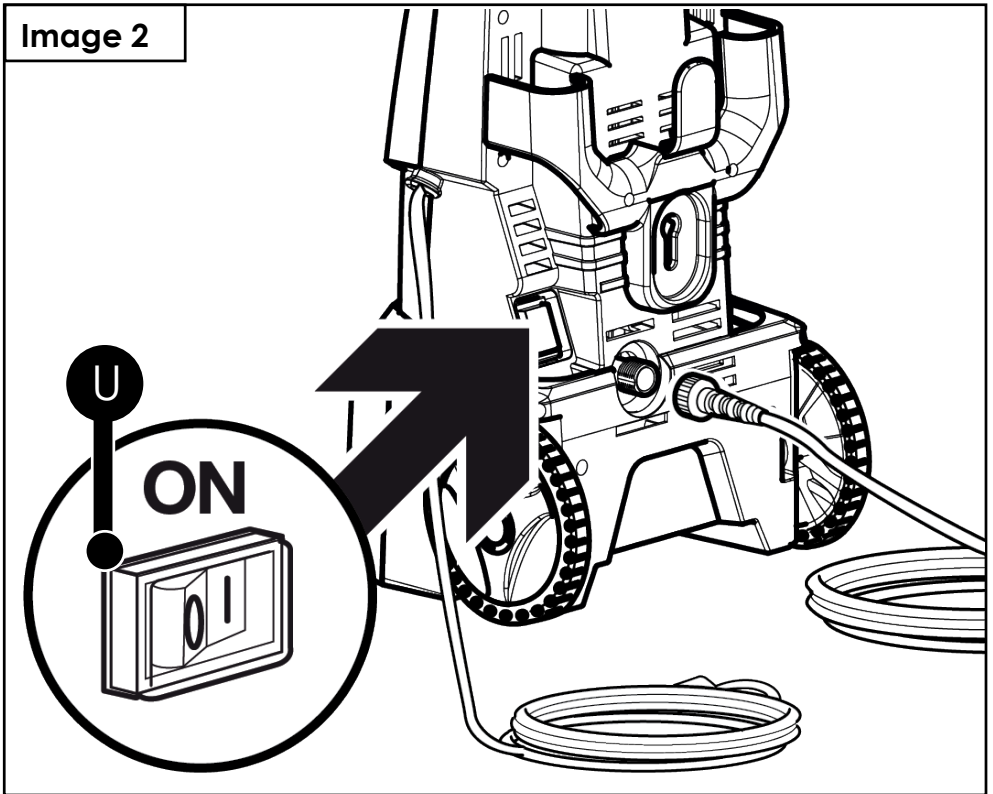
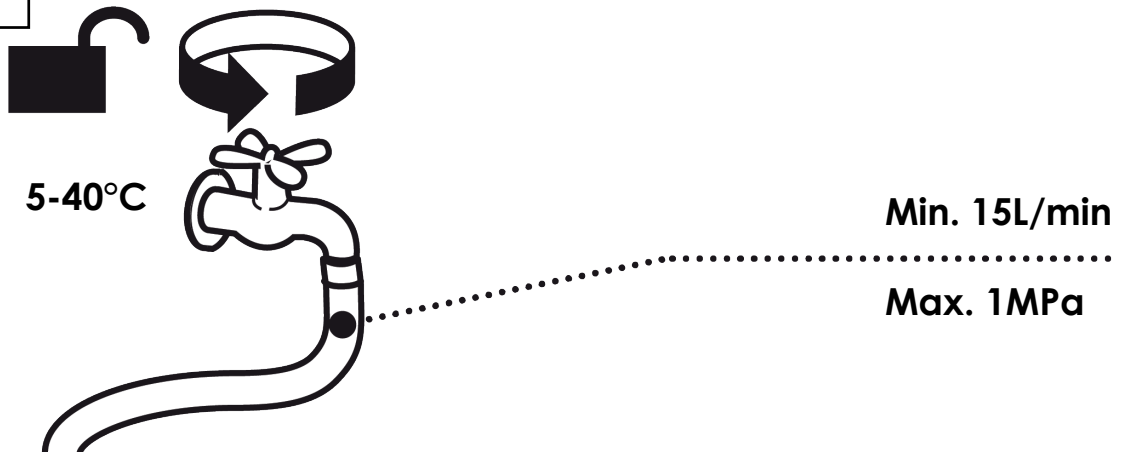


Image 3



Continued on next page 

Operation

Starting (Continued)

5. If the trigger (**Z**) is locked, flick the trigger lock (**X**) back against the trigger (**Z**) to unlock it. **Image 4.**

6. Hold the gun (**H**) with both hands and press the trigger (**Z**). **Image 5.**

7. You must hold the gun (**H**) with both hands so you have control. **Image 6.**

Image 4

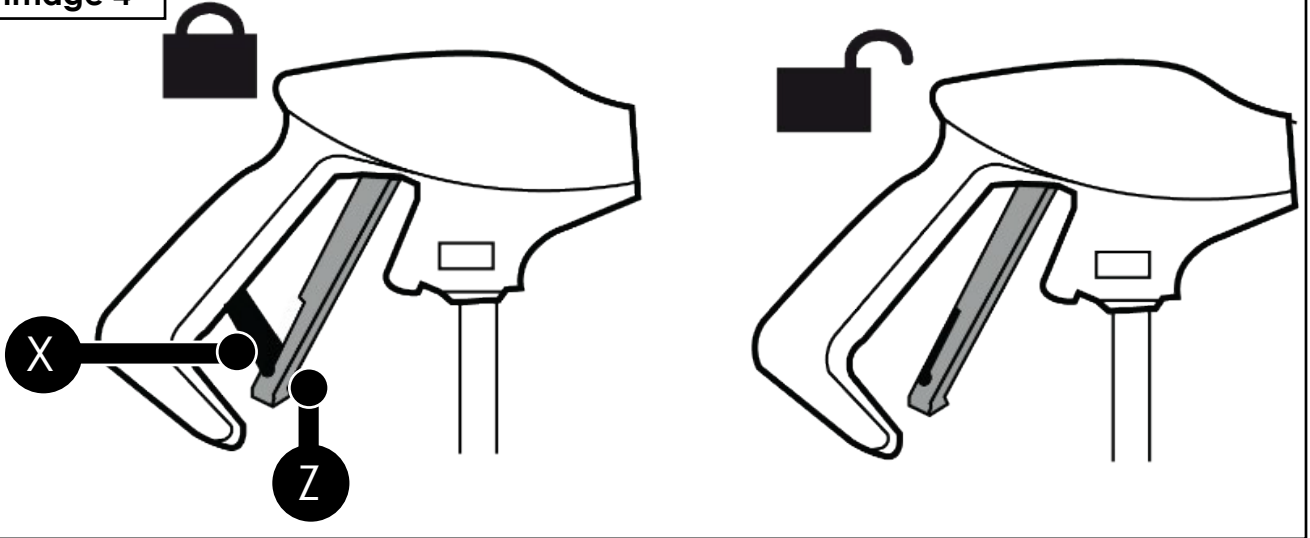


Image 5

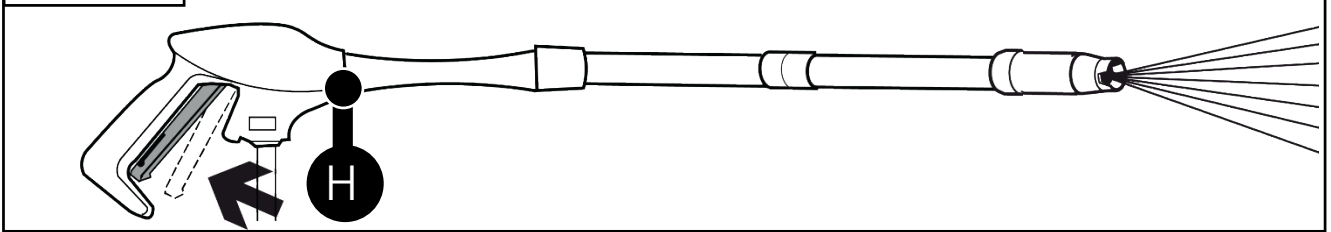
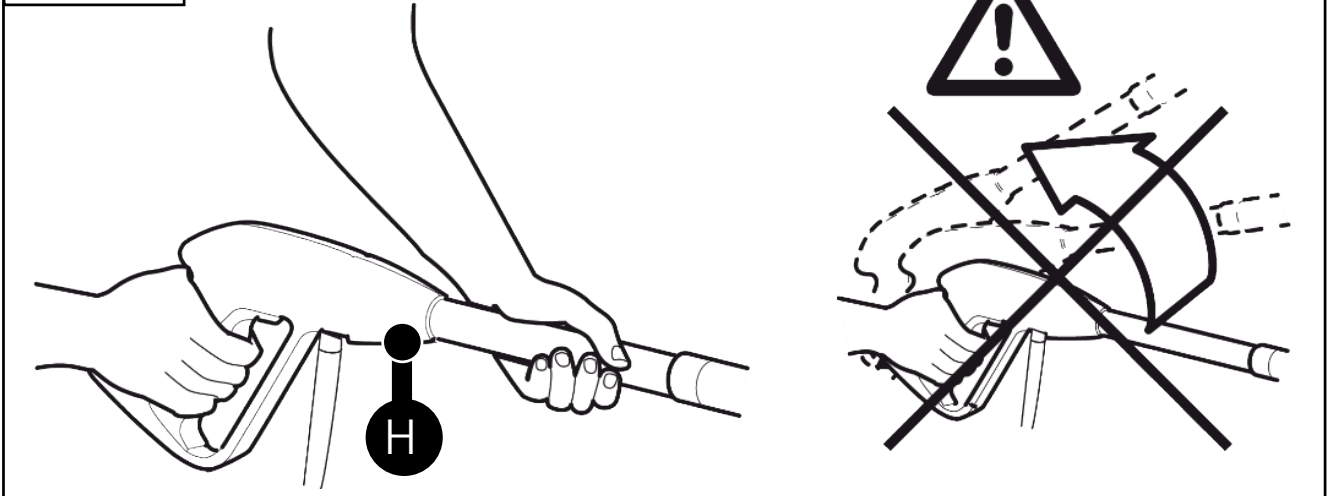


Image 6

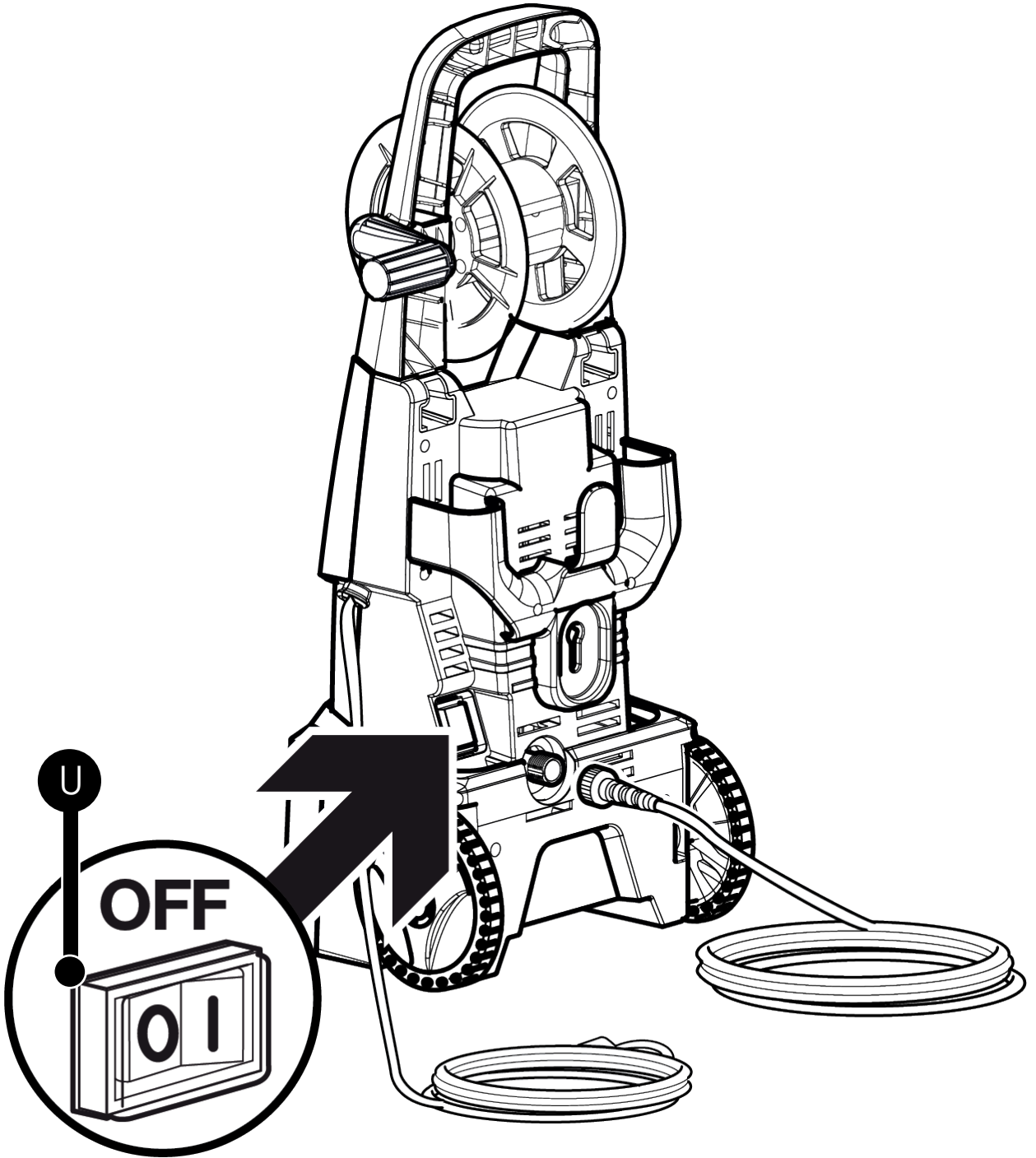


Operation

Stopping

1. Press the On/Off switch **(U)** to the OFF position. **Image 1.**

Image 1



Continued on next page 

Operation

Stopping (Continued)

2. Turn the water supply off. **Image 2.**
 3. Unplug from the mains power supply. **Image 3.**
 4. Release the trigger (**Z**). **Image 4.**
 5. Flick the trigger lock (**X**) down to stop the trigger (**Z**) from being pressed. **Image 5.**
- The gun is fitted with a trigger lock (**X**). Whenever you stop using the machine, it is important to operate the trigger lock (**X**) to prevent accidental activation of the jet.

Image 2

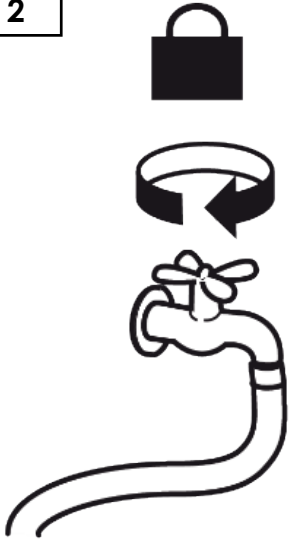


Image 3

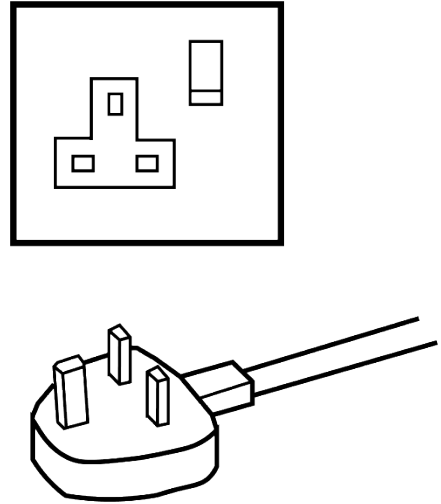


Image 4

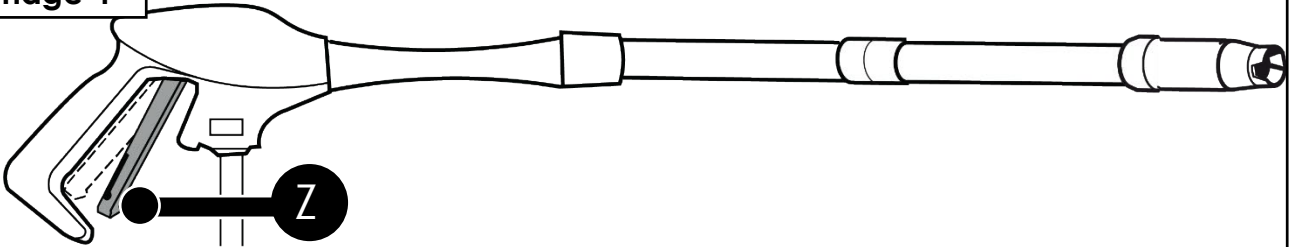
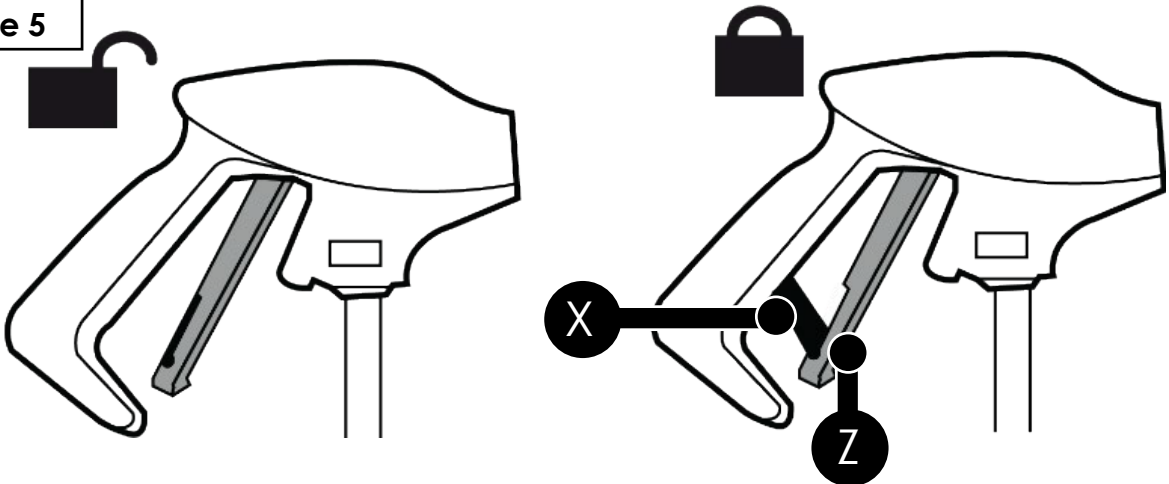


Image 5



Maintenance & Care

General Maintenance

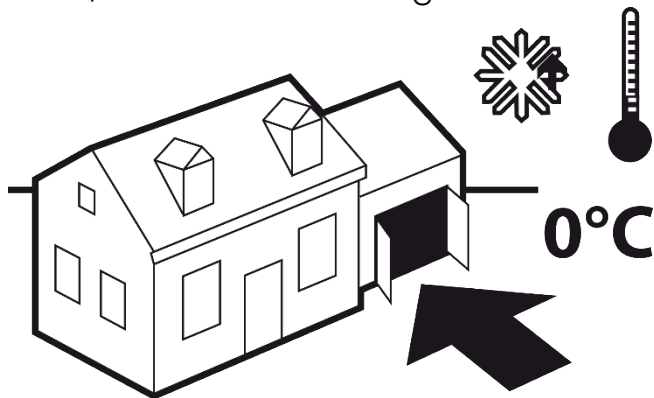
⚠ WARNING : Turn OFF the machine and disconnect the power cord before maintaining the machine. You need to wear proper clothing and protective gloves whenever your hands are at risk.

- Keep all nuts, bolts and screws tight to be sure the machine is in a safe working condition.
- Replace worn or damaged parts for safety. Only use manufacturer-recommended parts and accessories.
- Check the pressure washer for any leaks.

Storage

⚠ Keep the machine stored in a dry, level area away from damp, moisture and rain fall. Allow the machine to cool down before storing.

- Make sure the machine is clean and dry before storing. You can keep the cable tidy by wrapping it around the hook on the rear of the machine. You can also store the gun and accessories in the slots at the rear of the machine.
- Ensure the machine is stored in a position, where any persons cannot step on, to attempt to reach items up high, due to risk of movement.
- DO NOT store the machine near an ignition source, such as a wood stove, gas or electric heater, or an appliance or heater with a pilot light.
- Store the machine out of reach of children or anyone who is not familiar with operation.
- DO NOT stack other items on top of the machine when in storage.
- Make sure the machine is stored away from direct sunlight. Store indoors or in a safe, frost-free area during severe weather and winter months.



Cleaning

⚠ Always remove the electric plug from the mains supply before any cleaning is undertaken.

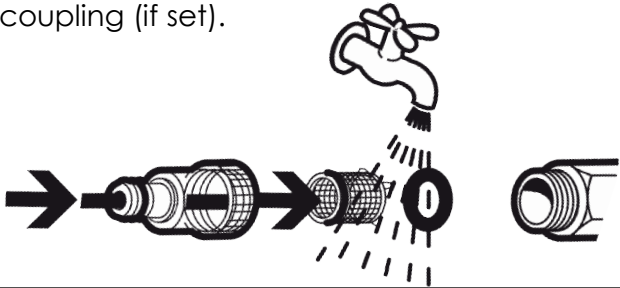
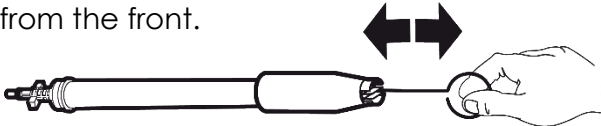
- Use a clean cloth to remove dirt, grease, etc.
- DO NOT use any water on any part of the main machine.
- Avoid using solvents when cleaning plastic parts. Most plastics are susceptible to damage from various types of commercial solvents and may be damaged by their use.

Maintenance & Care

Troubleshooting

⚠ NOTE : All corrective actions should be carried out by suitably qualified person/s.

⚠ WARNING : The appliance is equipped with a motor protection device: in case of intervention, wait a few minutes then disconnect and re-connect the product to the electric system. If this problem happens again or if the product does not start again, take the product to your service dealer.

Problem	Possible Solution
Machine will not start.	Check fuse in mains plug and replace if necessary.
	Check whether the voltage shown on the rating plate corresponds to that of the power source.
	The cable could be damaged. Check the cable for damage.
Machine does not reach operational pressure.	Vent the appliance: allow the pump to operate without the high-pressure hose until water appears at the high-pressure outlet without any more bubbles. Then re-attach the high-pressure hose.
	Clean the strainer in the water connection. Clean the filter placed inside the hose coupling (if set). 
	Check the inlet water flow rate.
	Check all inlet pipes to the pump for leaks or blockage.
Strong pressure fluctuations.	Clean the high-pressure nozzle. Remove dirt from the nozzle hole with a needle (not included) and then rinse out with water from the front. 
Pump leaks.	10 drops per minute are permissible. In the case of more serious leakage, you should contact your service dealer.

Technical Data

Specification

Model	HYW1900E
Voltage	240V
Frequency	50Hz
Power	1900W
Maximum Flow Rate	390L/hour
Maximum Pressure	145bar
Net Weight	8kg

Contact Us

Need Help? Talk To Our Experts

Our friendly aftersales team will be more than happy to help you.

Trade Tested Limited

PO Box 9117, Newmarket, Auckland 1149, New Zealand

0800 800 880

support@tradetested.co.nz

www.tradetested.co.nz

HYUNDAI

Trade Tested Limited

PO Box 9117, Newmarket, Auckland 1149, New Zealand

0800 800 880

support@tradetested.co.nz

www.tradetested.co.nz